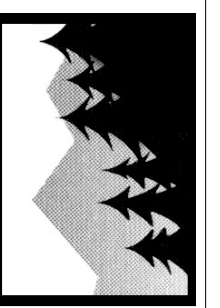
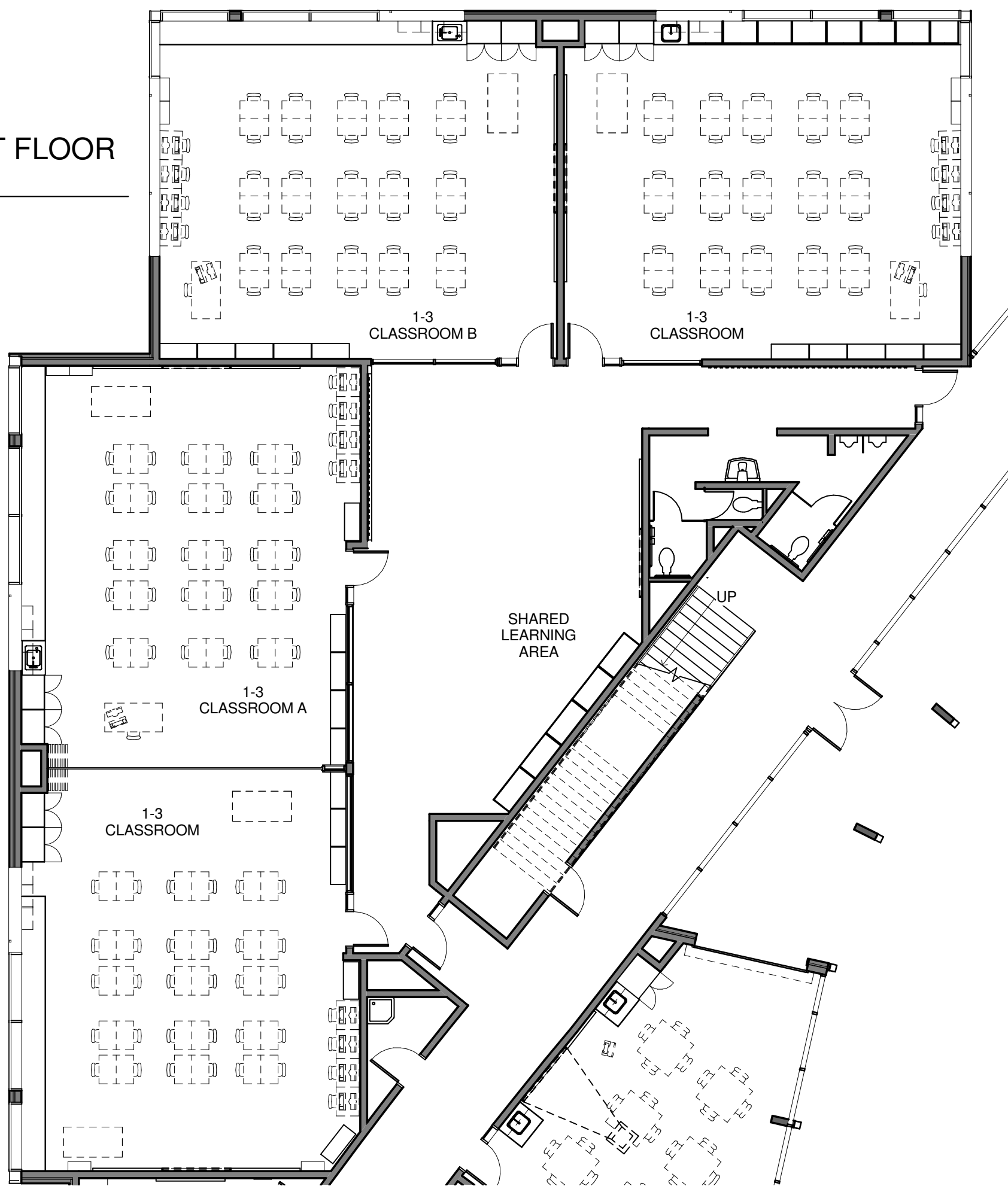


203 - OVERALL 1ST FLOOR CLASSROOMS

Scale: 1" = 10'-0"



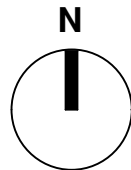
SNOHOMISH SCHOOL DISTRICT NO. 201
MACHIAS ELEMENTARY SCHOOL
 231 147TH AVE SE, SNOHOMISH, WA 98290

NAC | ARCHITECTURE

NAC NO: 121-08037
 DRAWN: Author
 CHECKED: Checker
 DATE: 02/04/09

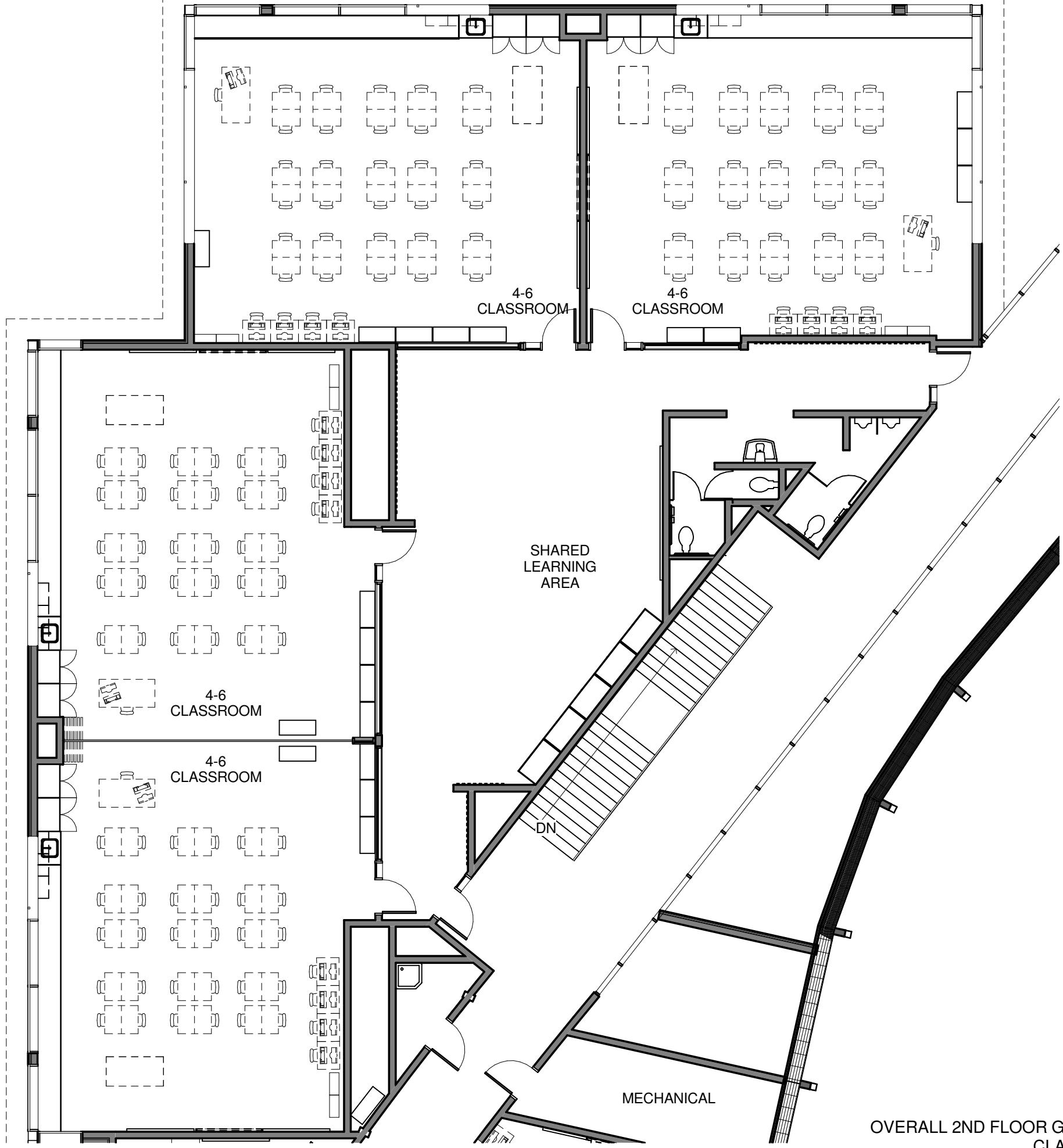
DD
203

OVERALL 1ST FLOOR GRADE 1-3 CLASSROOMS

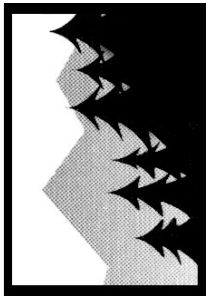


204 - OVERALL 2ND FLOOR CLASSROOMS

Scale: 1" = 10'-0"



OVERALL 2ND FLOOR GRADE 4-6 CLASSROOM

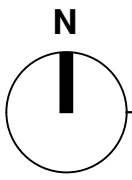


SNOHOMISH SCHOOL DISTRICT NO. 201
MACHIAS ELEMENTARY SCHOOL
231 147TH AVE SE, SNOHOMISH, WA 98290

NAC ARCHITECTURE

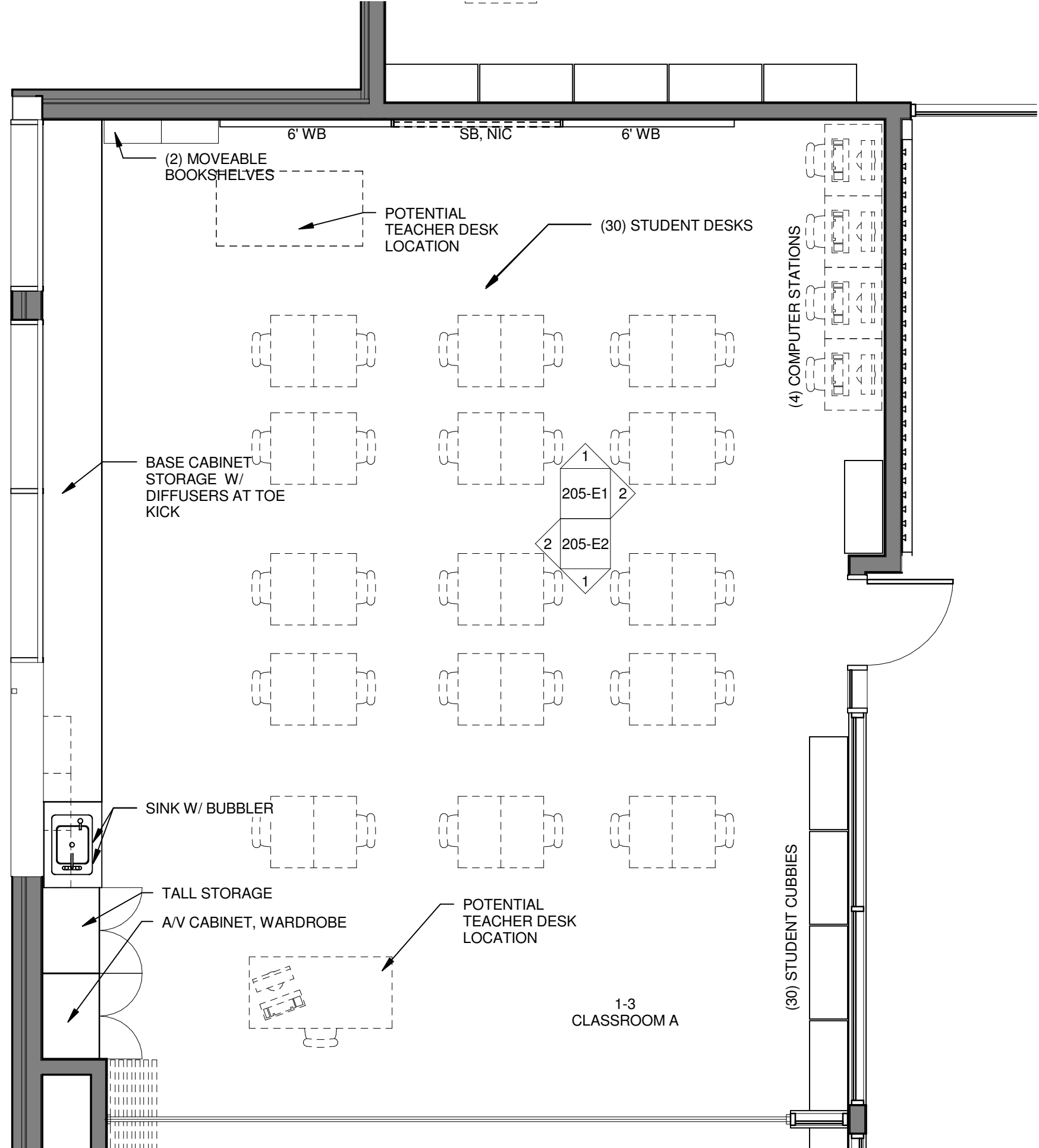
NAC NO: 121-08037
DRAWN: Author
CHECKED: Checker
DATE: 02/04/09

DD
204

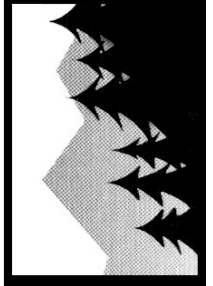


205 - 1ST FLOOR CLASSROOM A

Scale: 1/4" = 1'-0"



ENLARGED PLAN OF CLASSROOM A



SNOHOMISH SCHOOL DISTRICT NO. 201
MACHIAS ELEMENTARY SCHOOL
 231 147TH AVE SE, SNOHOMISH, WA 98290

NAC | ARCHITECTURE

NAC NO: 121-08037
 DRAWN: Author
 CHECKED: Checker
 DATE: 02/04/09

DD
205

© 2009 NAC INC

WWW.NACARCHITECTURE.COM 2201 SIXTH AVE, SUITE 1405 | SEATTLE, WA 98121-1847 | T:206-441-4522 | F:206-441-7917



SNOHOMISH SCHOOL DISTRICT NO. 201
**MACHIAS ELEMENTARY
 SCHOOL**
 231 147TH AVE SE, SNOHOMISH, WA 98290

NAC ARCHITECTURE

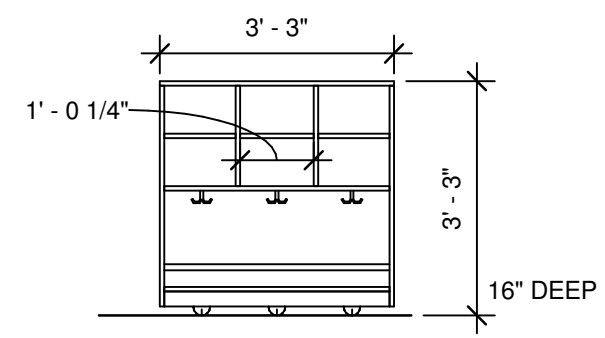
NAC NO: 121-08037
 DRAWN: Author
 CHECKED: Checker
 DATE: 02/04/09

DD

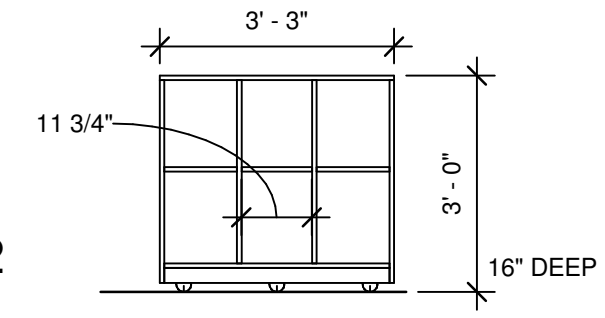
205-E1

2201 SIXTH AVE, SUITE 1405 | SEATTLE, WA 98121-1847 | T: 206-441-4522 | F: 206-441-7917
 WWW.NACARCHITECTURE.COM

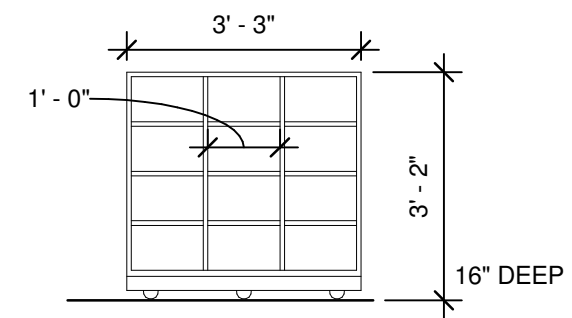
OPT 1



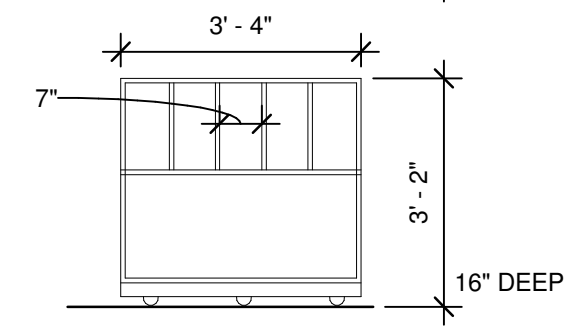
OPT 2



OPT 3

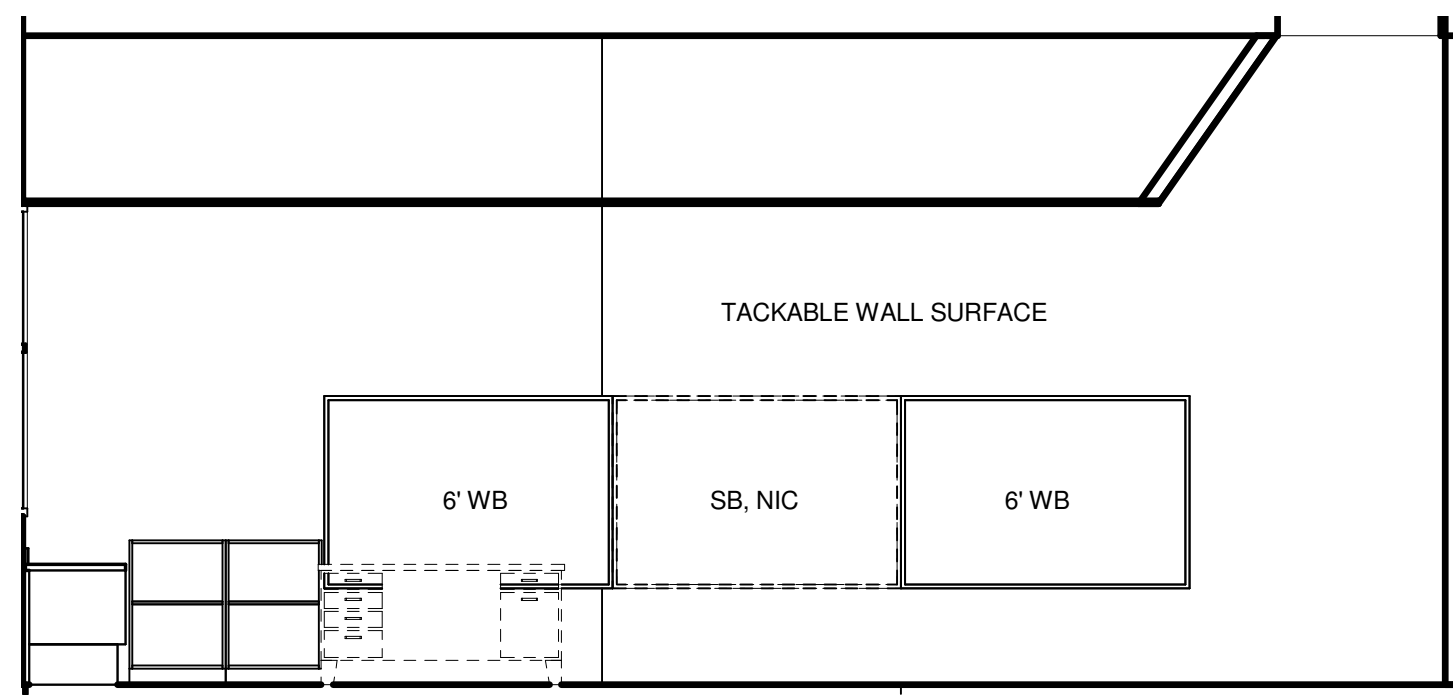


OPT 4



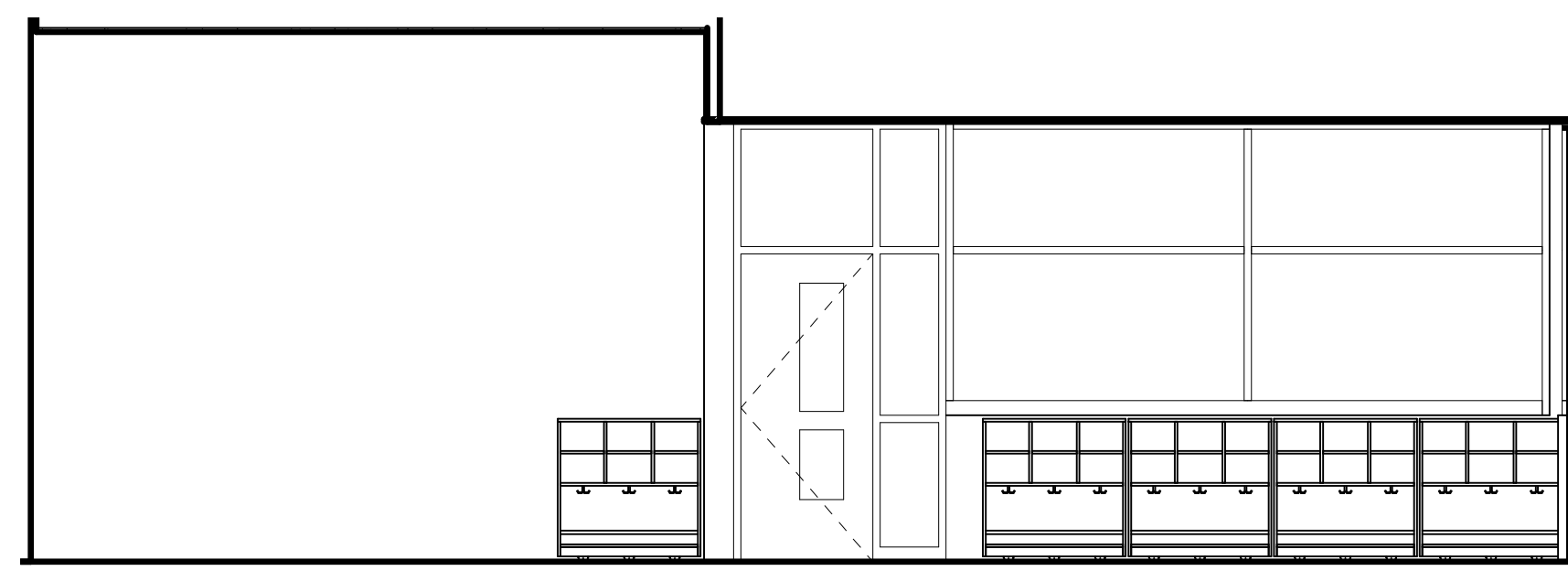
3 CUBBIE OPTIONS

Scale: 3/8" = 1'-0"



1 1ST FLOOR GRADE 1-3 CLASSROOM A - NORTH

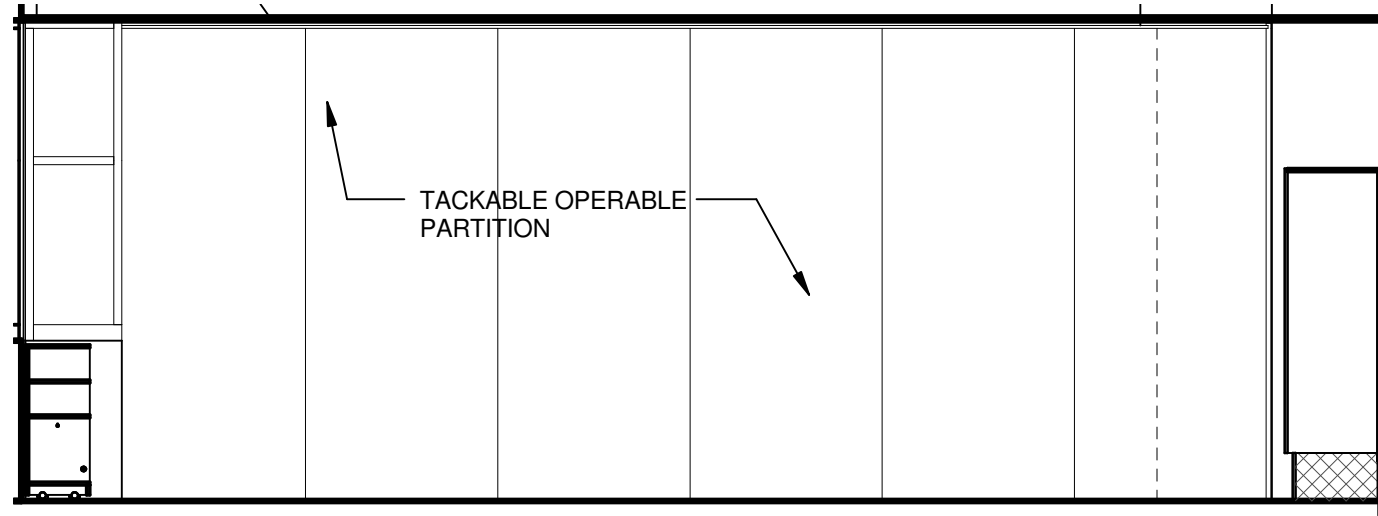
Scale: 1/4" = 1'-0"



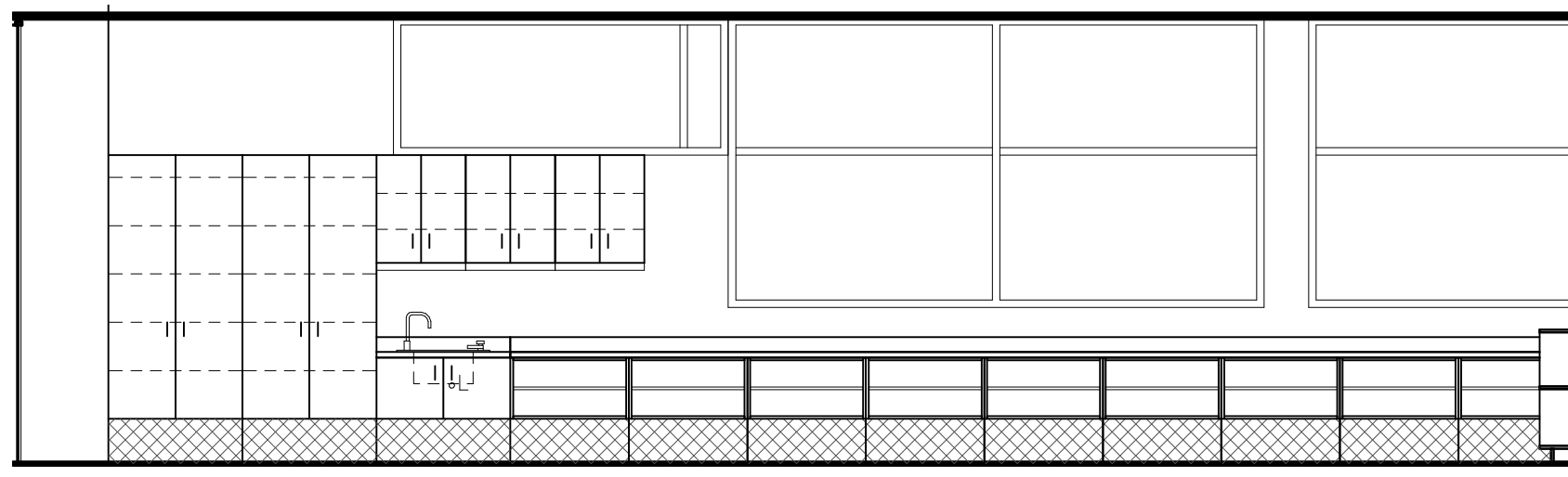
2 1ST FLOOR GRADE 1-3 CLASSROOM A - EAST

Scale: 1/4" = 1'-0"

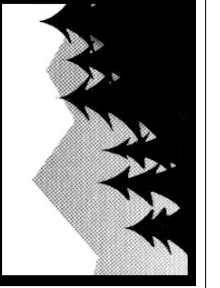
CLASSROOM A INTERIOR
 ELEVATIONS



1 1ST FLOOR GRADE 1-3 CLASSROOM A - SOUTH
Scale: 1/4" = 1'-0"



2 1ST FLOOR GRADE 1-3 CLASSROOM A - WEST
Scale: 1/4" = 1'-0"



SNOHOMISH SCHOOL DISTRICT NO. 201
**MACHIAS ELEMENTARY
SCHOOL**
231 147TH AVE SE, SNOHOMISH, WA 98290

NAC ARCHITECTURE

NAC NO: 121-08037
DRAWN: Author
CHECKED: Checker
DATE: 02/04/09

DD

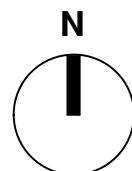
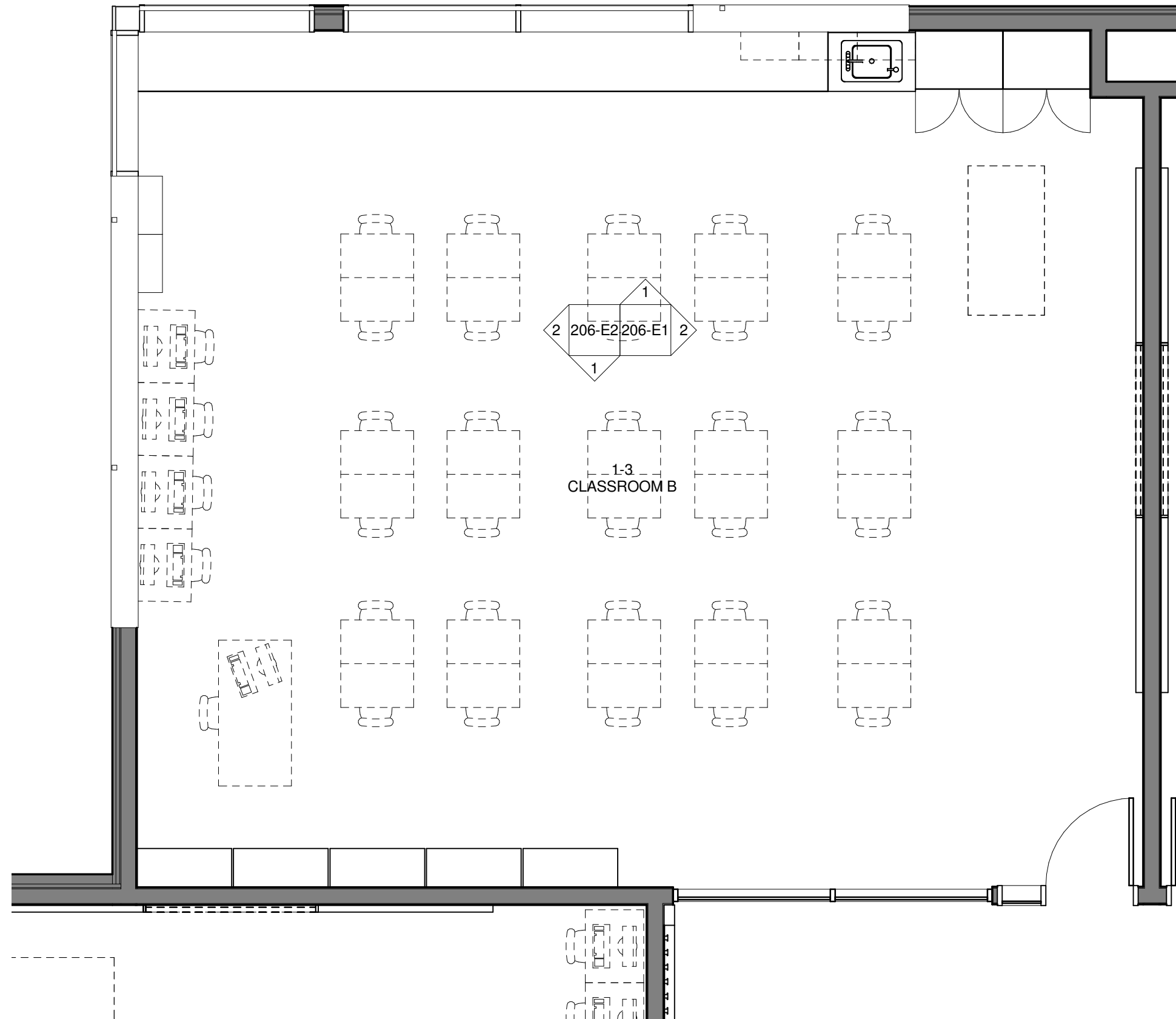
© 2009 NAC INC

205-E2

WWW.NACARCHITECTURE.COM

2201 SIXTH AVE, SUITE 1405 | SEATTLE, WA 98121-1847 | T: 206-441-4522 | F: 206-441-7917

CLASSROOM A INTERIOR
ELEVATIONS



206 -1ST FLOOR CLASSROOM B

Scale: 1/4" = 1'-0"

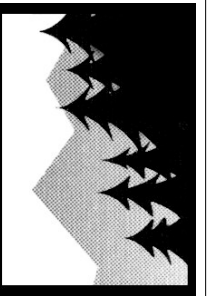
SNOHOMISH SCHOOL DISTRICT NO. 201
**MACHIAS ELEMENTARY
 SCHOOL**
 231 147TH AVE SE, SNOHOMISH, WA 98290

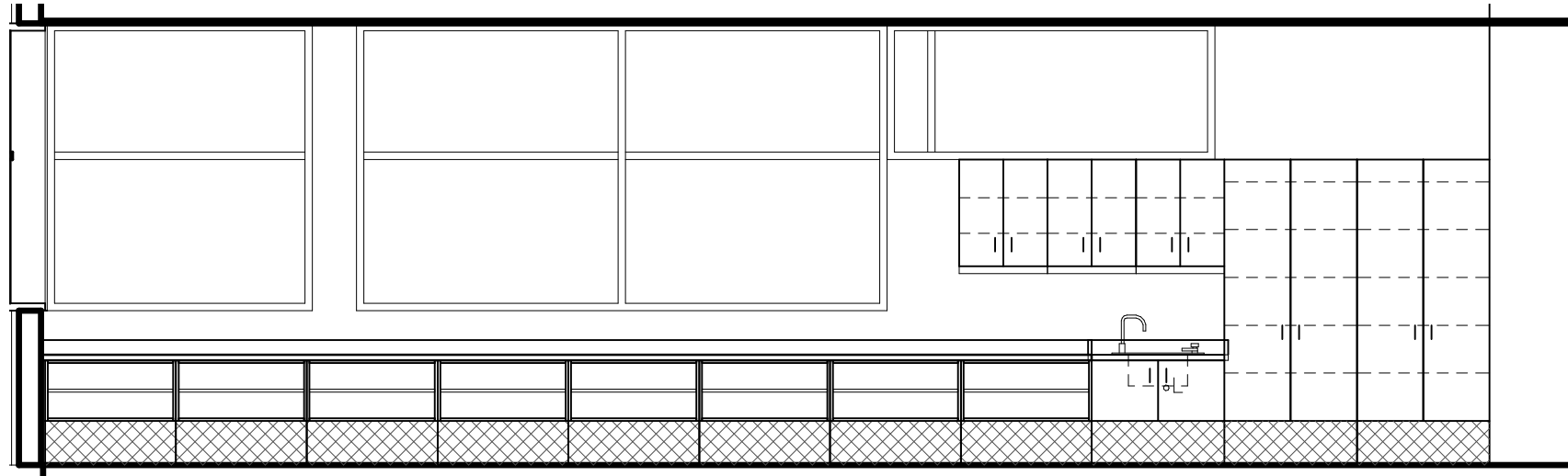
NAC | ARCHITECTURE

NAC NO: 121-08037
 DRAWN: Author
 CHECKED: Checker
 DATE: 02/04/09

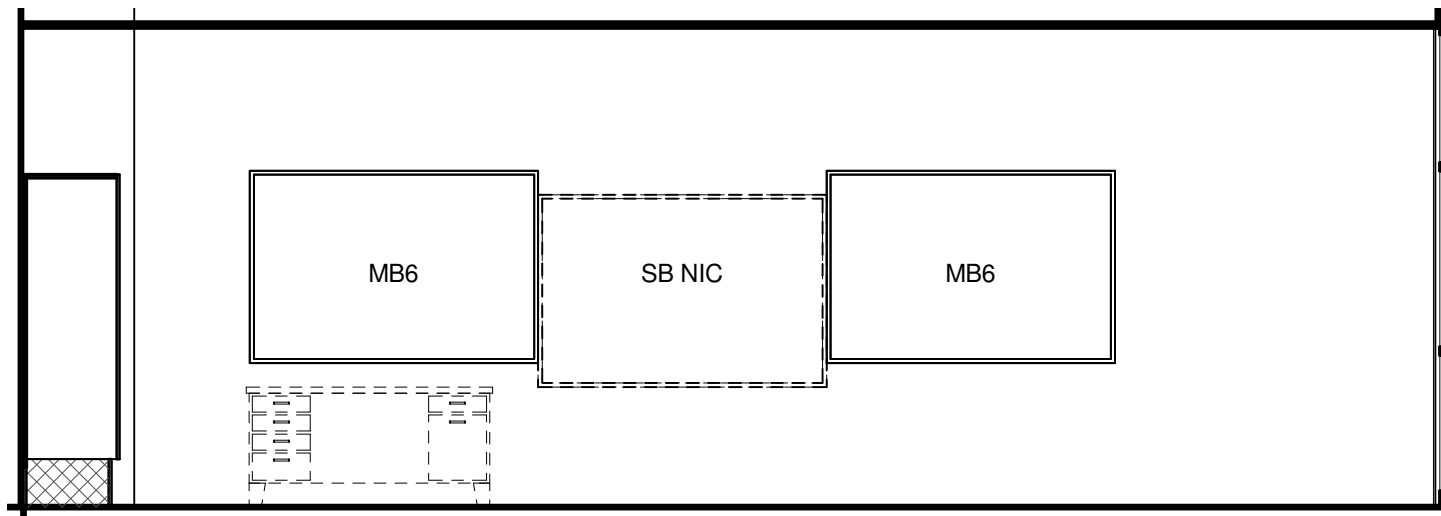
DD
206

ENLARGED PLAN OF CLASSROOM B

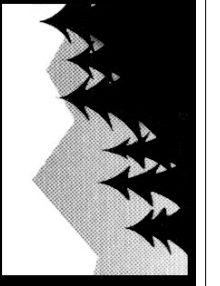




1 1ST FLOOR GRADE 1-3 CLASSROOM B - NORTH
Scale: 1/4" = 1'-0"



2 1ST FLOOR GRADE 1-3 CLASSROOM B - EAST
Scale: 1/4" = 1'-0"



SNOHOMISH SCHOOL DISTRICT NO. 201
**MACHIAS ELEMENTARY
SCHOOL**
231 147TH AVE SE, SNOHOMISH, WA 98290

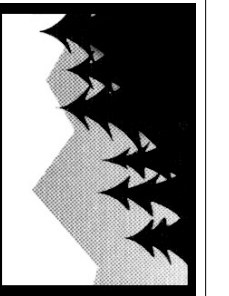
NAC ARCHITECTURE

NAC NO: 121-08037
DRAWN: Author
CHECKED: Checker
DATE: 02/04/09

DD

206-E1

CLASSROOM B INTERIOR
ELEVATIONS



SNOHOMISH SCHOOL DISTRICT NO. 201
MACHIAS ELEMENTARY SCHOOL
 231 147TH AVE SE, SNOHOMISH, WA 98290

NAC ARCHITECTURE

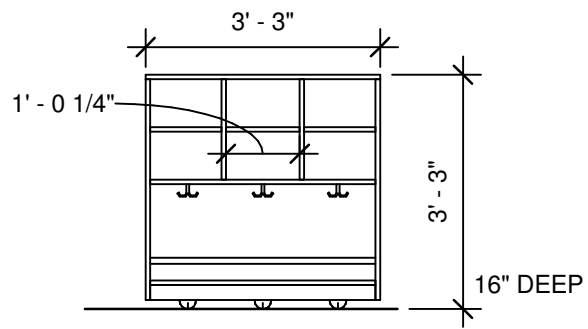
NAC NO: 121-08037
 DRAWN: Author
 CHECKED: Checker
 DATE: 02/04/09

DD

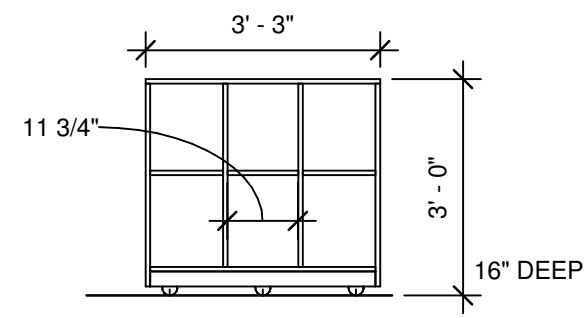
206-E2

© 2009 NAC, INC. 2201 SIXTH AVE, SUITE 1405 | SEATTLE, WA 98101-1847 | T206-441-4522 | F206-441-7917 WWW.NACARCHITECTURE.COM

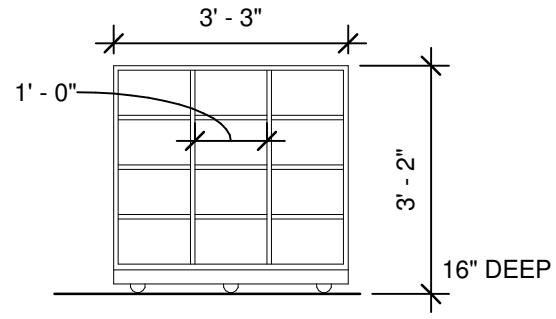
OPT 1



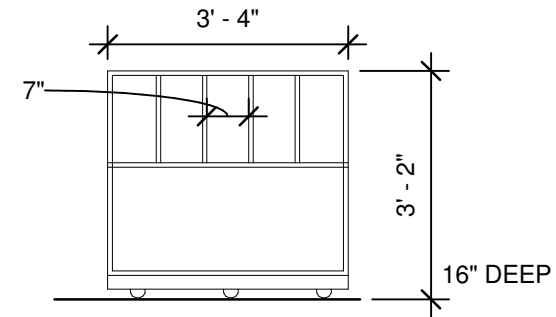
OPT 2



OPT 3



OPT 4



3

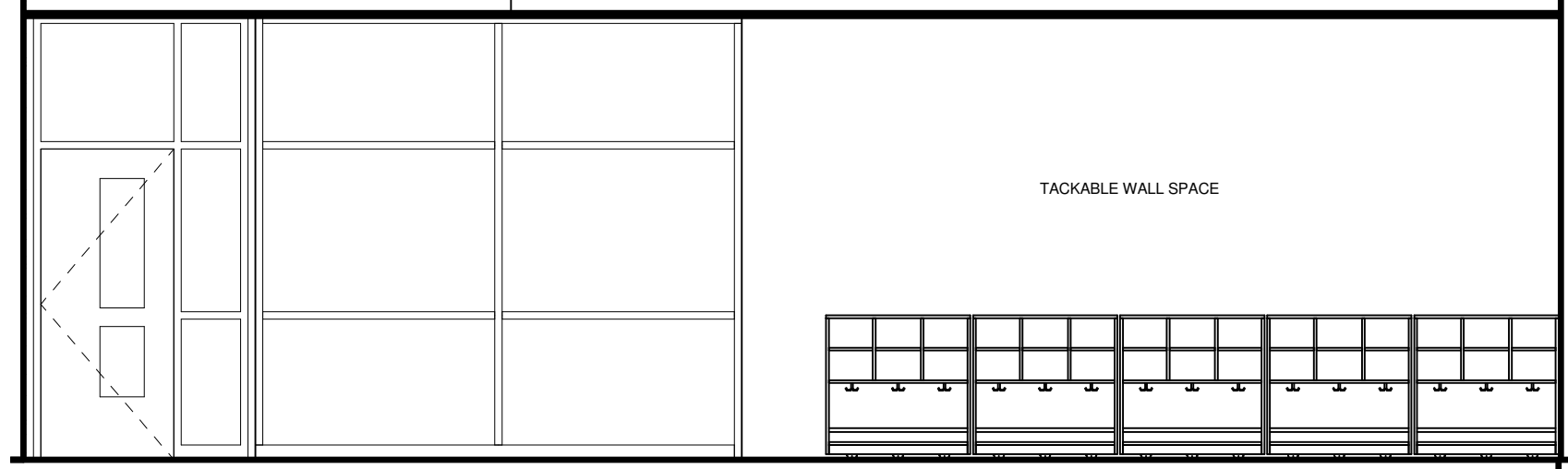
Copy of CUBBIE OPTIONS

Scale: 3/8" = 1'-0"

1

1ST FLOOR GRADE 1-3 CLASSROOM B - SOUTH

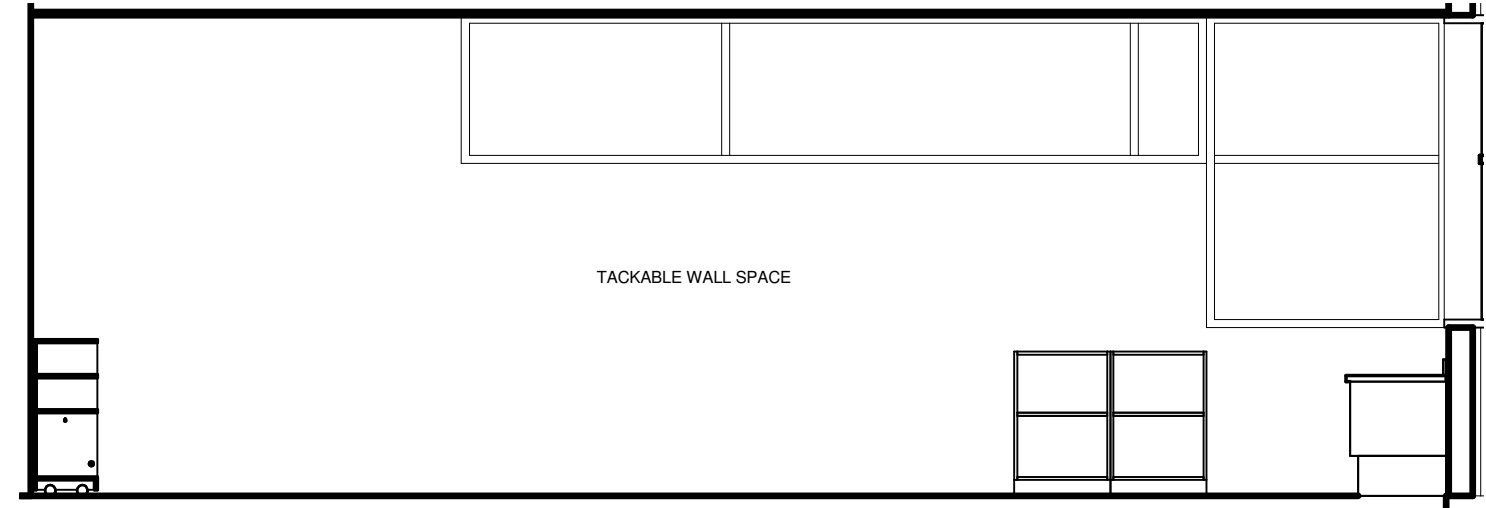
Scale: 1/4" = 1'-0"



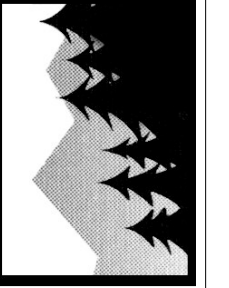
2

1ST FLOOR GRADE 1-3 CLASSROOM B - WEST

Scale: 1/4" = 1'-0"



CLASSROOM B INTERIOR ELEVATIONS



SNOHOMISH SCHOOL DISTRICT NO. 201
**MACHIAS ELEMENTARY
 SCHOOL**
 231 147TH AVE SE, SNOHOMISH, WA 98290

NAC | ARCHITECTURE

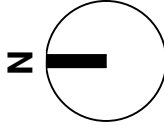
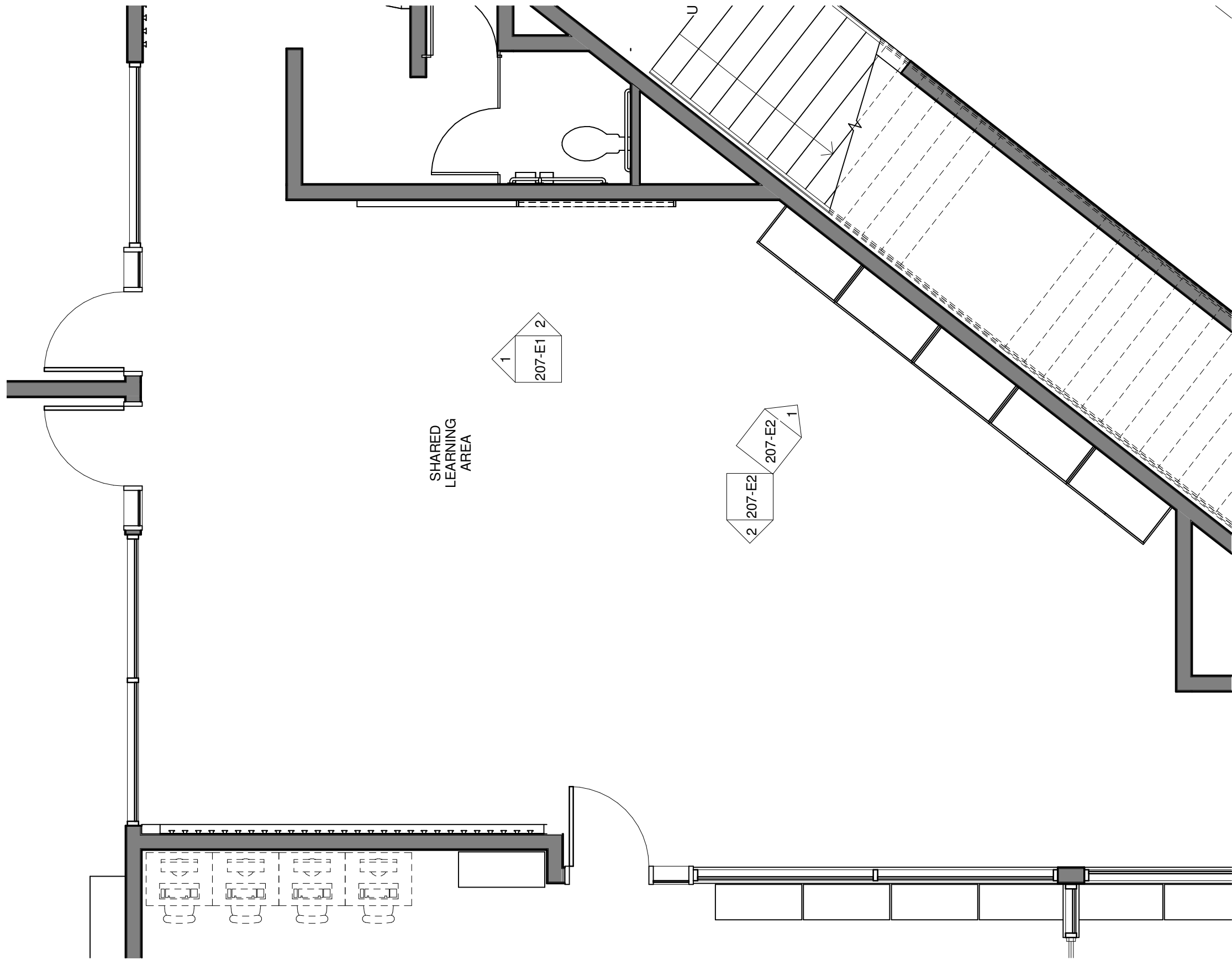
NAC NO 121-08037
 DRAWN Author
 CHECKED Checker
 DATE: 02/04/09

DD
207

© 2009 NAC INC

2201 SIXTH AVE, SUITE 1405 | SEATTLE, WA 98121-1847 | T206-441-4522 | F206-441-7917
 WWW.NACARCHITECTURE.COM

ENLARGED PLAN OF EXTENDED
 LEARNING AREA





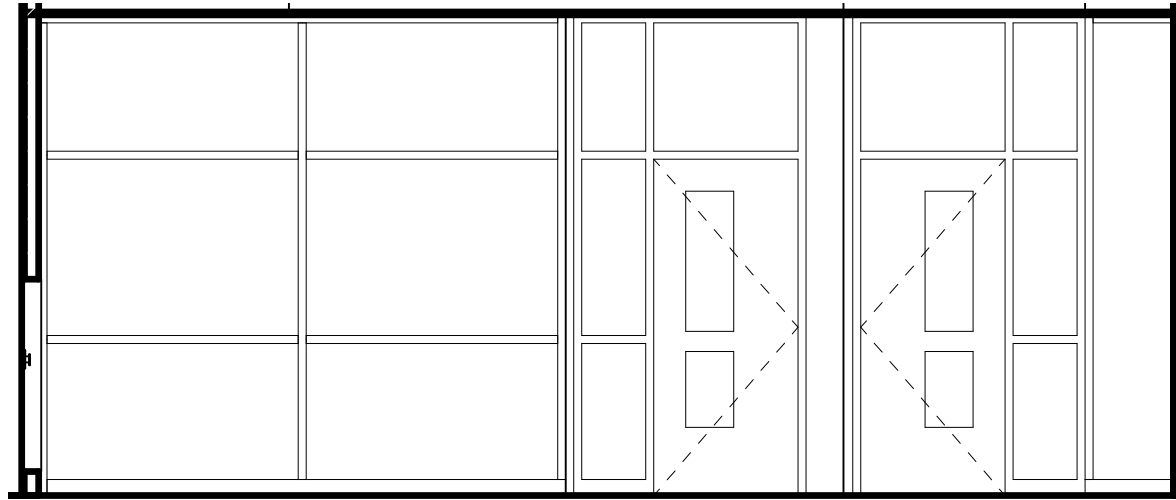
SNOHOMISH SCHOOL DISTRICT NO. 201
**MACHIAS ELEMENTARY
 SCHOOL**
 231 147TH AVE SE, SNOHOMISH, WA 98290

NAC | ARCHITECTURE

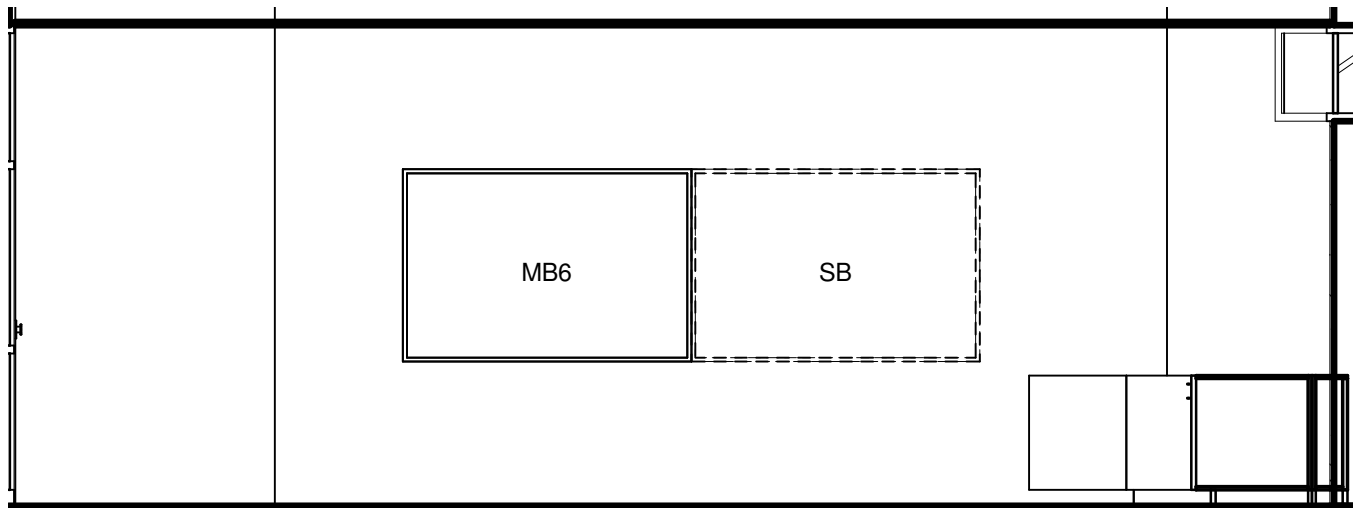
NAC NO: 121-08037
 DRAWN: Author
 CHECKED: Checker
 DATE: 02/04/09

DD

© 2009 NAC INC
207-E1
 WWW.NACARCHITECTURE.COM



1 EXTENDED LEARNING AREA - NORTH
 Scale: 1/4" = 1'-0"

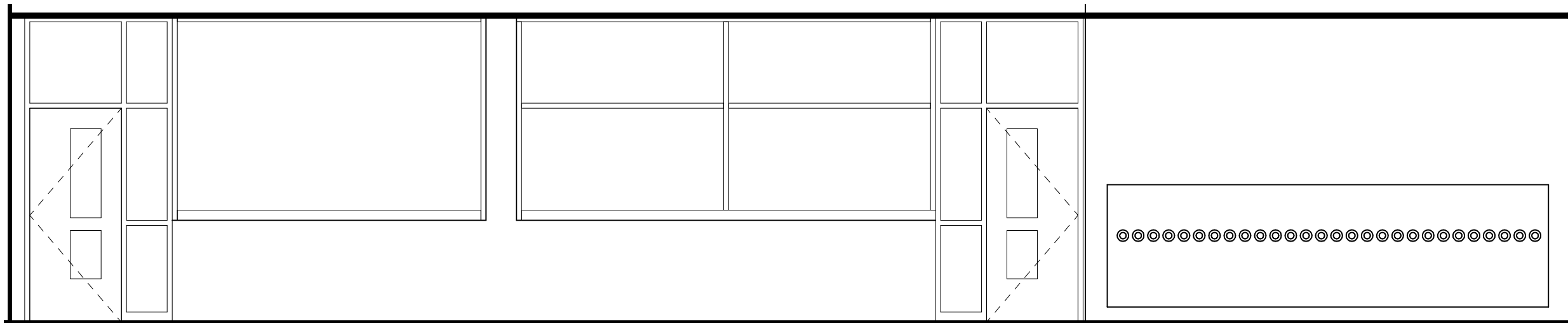


2 EXTENDED LEARNING AREA - EAST
 Scale: 1/4" = 1'-0"

EXTENDED LEARNING AREA
 INTERIOR ELEVATIONS



1 EXTENDED LEARNING AREA - SOUTH
Scale: 1/4" = 1'-0"



2 EXTENDED LEARNING AREA - WEST
Scale: 1/4" = 1'-0"



SNOHOMISH SCHOOL DISTRICT NO. 201
**MACHIAS ELEMENTARY
SCHOOL**
231 147TH AVE SE, SNOHOMISH, WA 98290

NAC ARCHITECTURE

NAC NO: 121-08037
DRAWN: Author
CHECKED: Checker
DATE: 02/04/09

DD

© 2009 NAC INC
207-E2
WWW.NACARCHITECTURE.COM

EXTENDED LEARNING AREA
INTERIOR ELEVATIONS



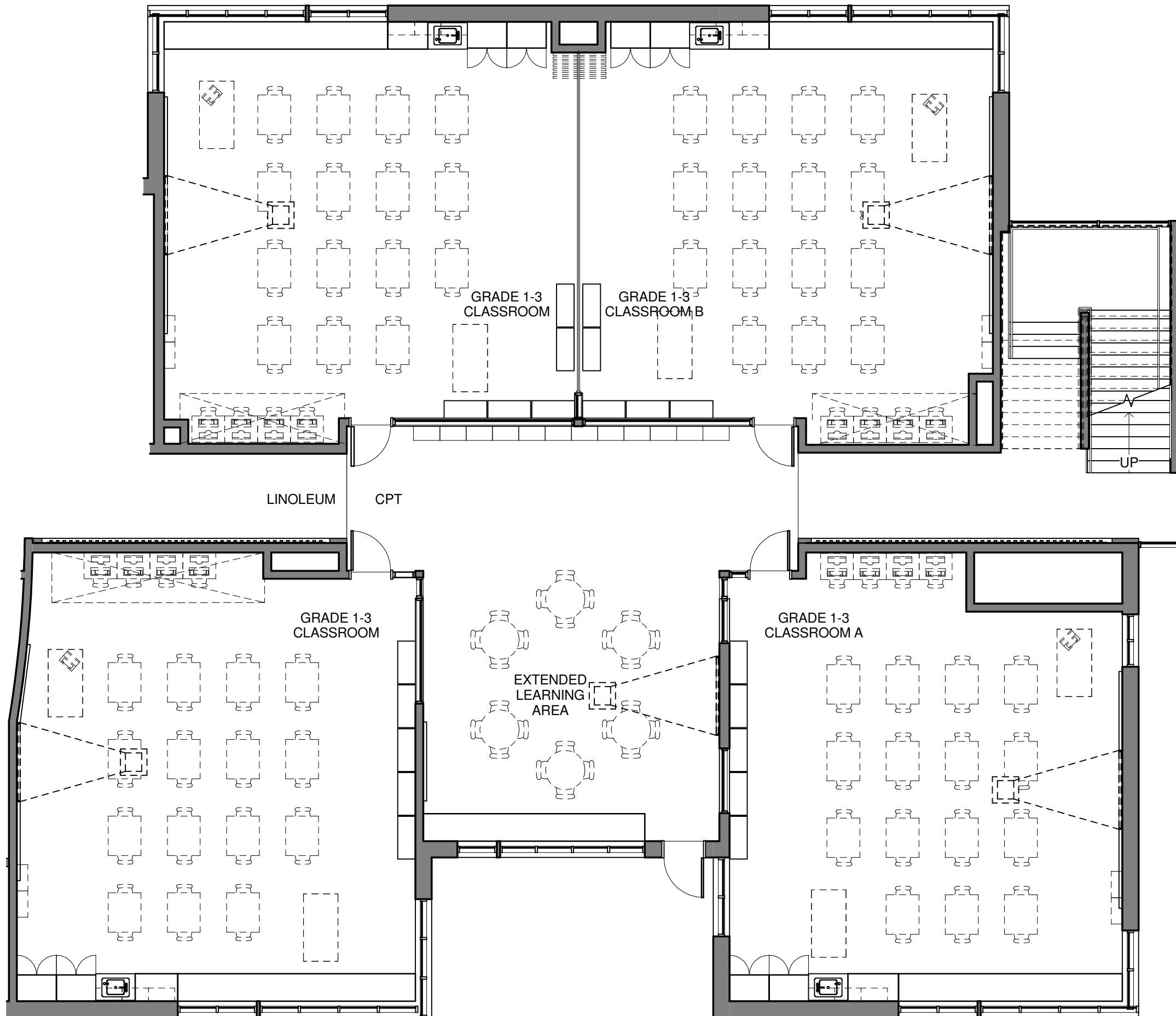
SNOHOMISH SCHOOL DISTRICT NO. 201
**RIVERVIEW ELEMENTARY
 SCHOOL**
 7322 64TH STREET SE, SNOHOMISH, WA 98290

NAC ARCHITECTURE

NAC NO 121-08038
 DRAWN Author
 CHECKED Checker
 DATE: 02/04/2009

**DD
 203**

© 2009 NAC INC 2201 SIXTH AVE, SUITE 1405 | SEATTLE, WA 98121-1847 | T:206.441.4522 | F:206.441.7917 WWW.NACARCHITECTURE.COM



203 - OVERALL 1ST FLOOR GRADE 1-3 CLASSROOM POD

Scale: 1/8" = 1'-0"

OVERALL 1ST FLOOR GRADE 1-3
 CLASSROOMS



SNOHOMISH SCHOOL DISTRICT NO. 201
**RIVERVIEW ELEMENTARY
 SCHOOL**
 7322 64TH STREET SE, SNOHOMISH, WA 98290

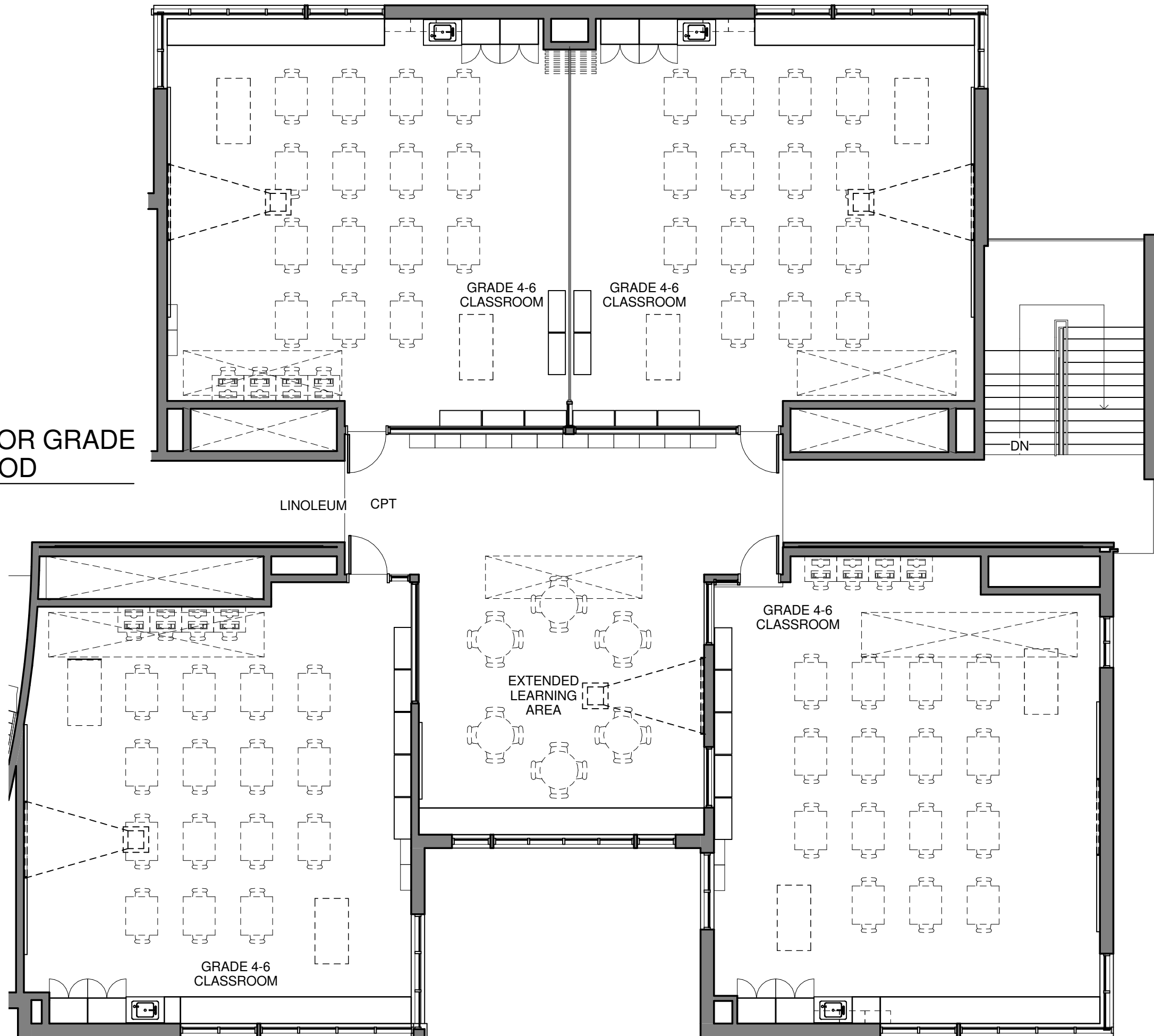
NAC ARCHITECTURE

NAC NO 121-08038
 DRAWN Author
 CHECKED Checker
 DATE: 02/04/2009

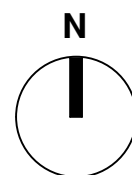
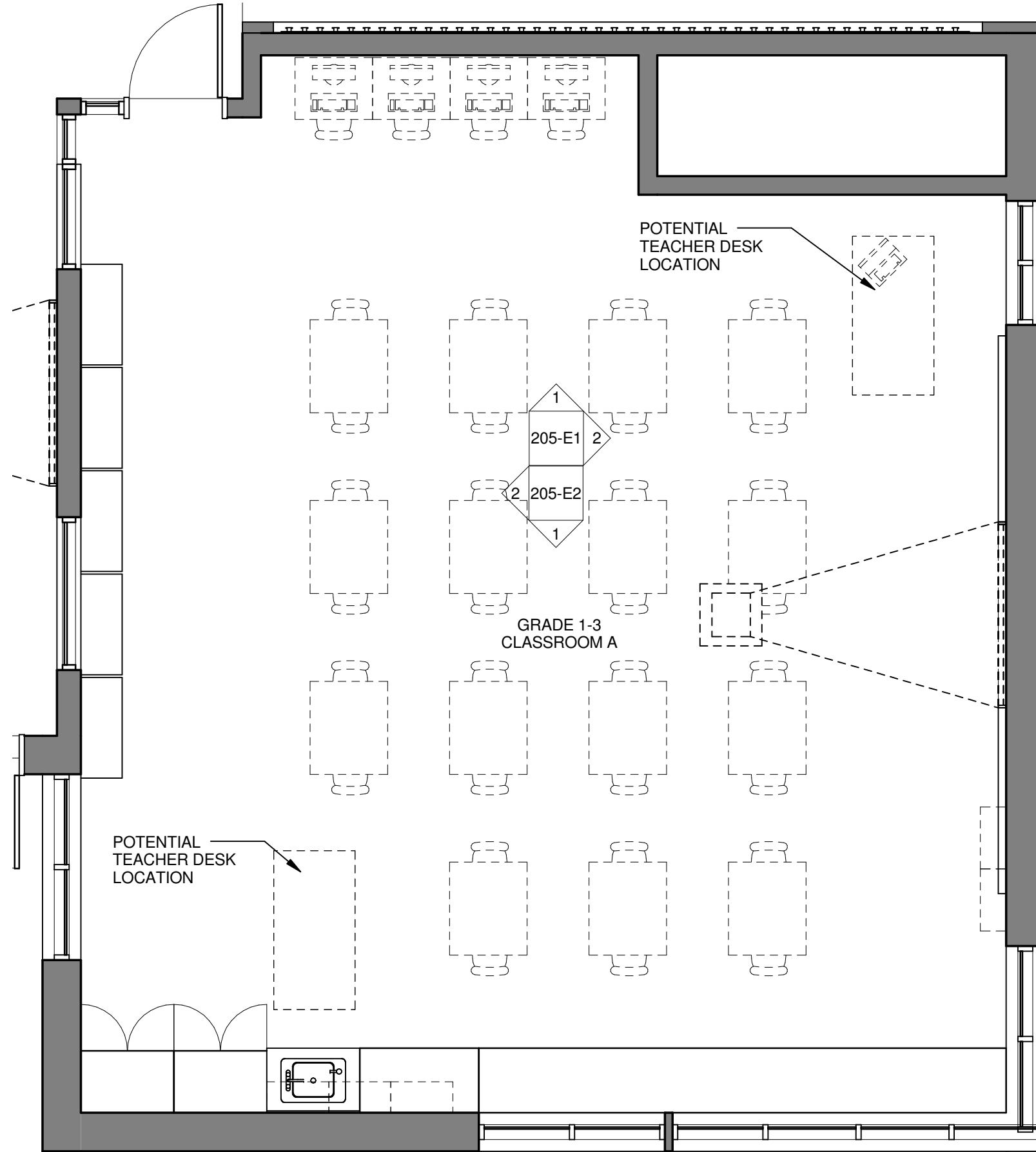
**DD
 204**

© 2009 NAC INC 2201 SIXTH AVE, SUITE 1405 | SEATTLE, WA 98121-1847 | T:206.441.4522 | F:206.441.7917 WWW.NACARCHITECTURE.COM

N
**OVERALL 2ND FLOOR GRADE
 4-6 CLASSROOM POD**
 Scale: 1/8" = 1'-0"

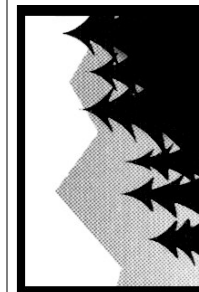


OVERALL 2ND FLOOR GRADE 4-6
 CLASSROOM



205 - 1ST FLOOR CLASSROOM A

Scale: 1/4" = 1'-0"



SNOHOMISH SCHOOL DISTRICT NO. 201
**RIVERVIEW ELEMENTARY
 SCHOOL**
 7322 64TH STREET SE, SNOHOMISH, WA 98290

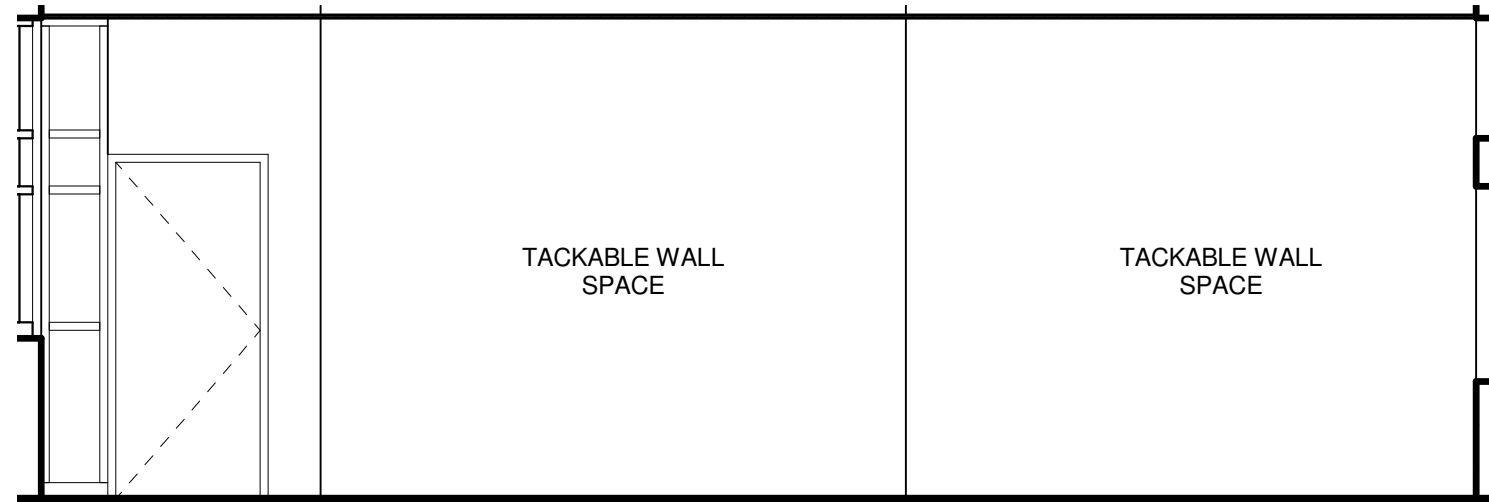
NAC | ARCHITECTURE

2201 SIXTH AVE, SUITE 1405 | SEATTLE, WA 98121-1847 | T:206.441.4522 | F:206.441.7917

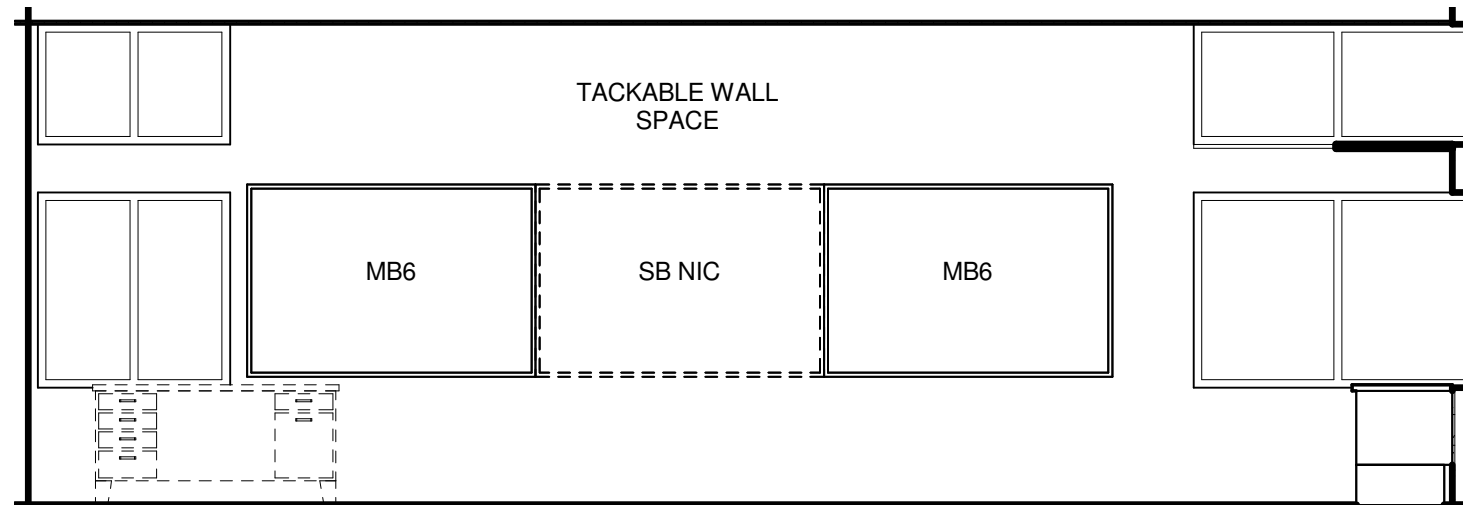
WWW.NACARCHITECTURE.COM

NAC NO: 121-08038
 DRAWN: Author
 CHECKED: Checker
 DATE: 02/04/2009

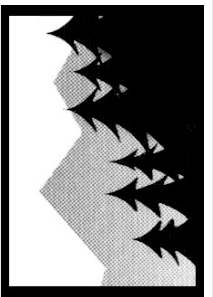
**DD
 205**



1 1ST FLOOR GRADE 1-3 CLASSROOM A - NORTH
Scale: 1/4" = 1'-0"



2 1ST FLOOR GRADE 1-3 CLASSROOM A - EAST
Scale: 1/4" = 1'-0"



SNOHOMISH SCHOOL DISTRICT NO. 201
**RIVERVIEW ELEMENTARY
SCHOOL**
7322 64TH STREET SE, SNOHOMISH, WA 98290

NAC ARCHITECTURE

NAC NO: 121-08038
DRAWN: Author
CHECKED: Checker
DATE: 02/04/2009

DD
205-E1

CLASSROOM A INTERIOR
ELEVATIONS



SNOHOMISH SCHOOL DISTRICT NO. 201
**RIVERVIEW ELEMENTARY
 SCHOOL**
 7322 64TH STREET SE, SNOHOMISH, WA 98290

NAC ARCHITECTURE

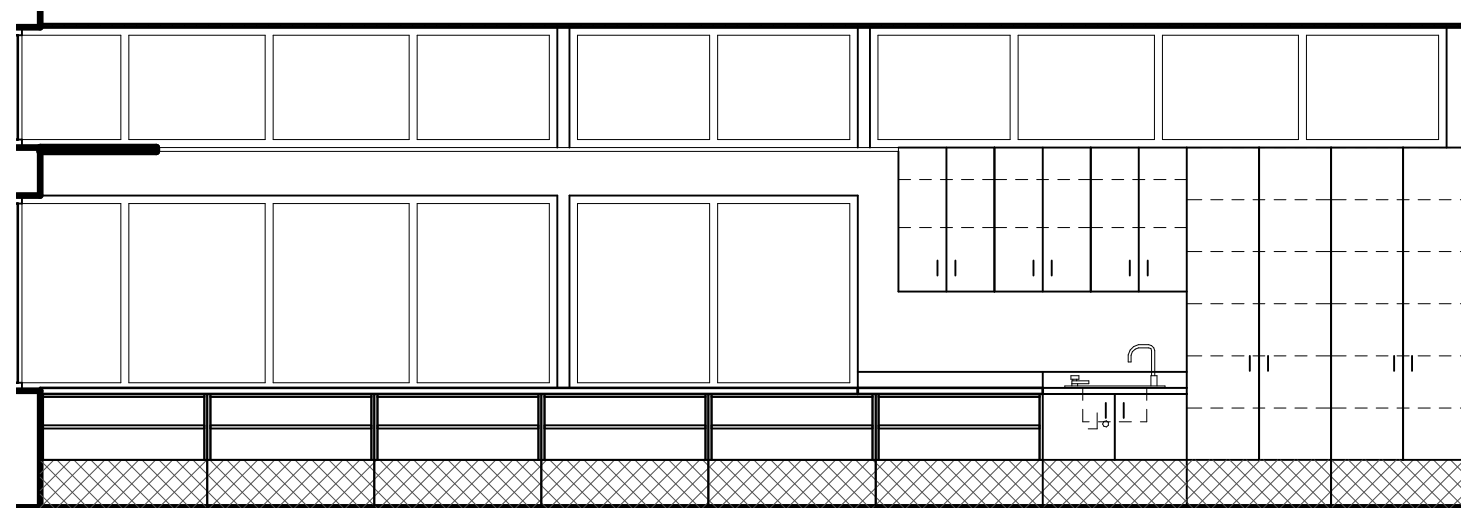
2201 SIXTH AVE, SUITE 1405 | SEATTLE, WA 98121-1847 | T:206.441.4522 | F:206.441.7917

NAC NO: 121-08038
 DRAWN: Author
 CHECKED: Checker
 DATE: 02/04/2009

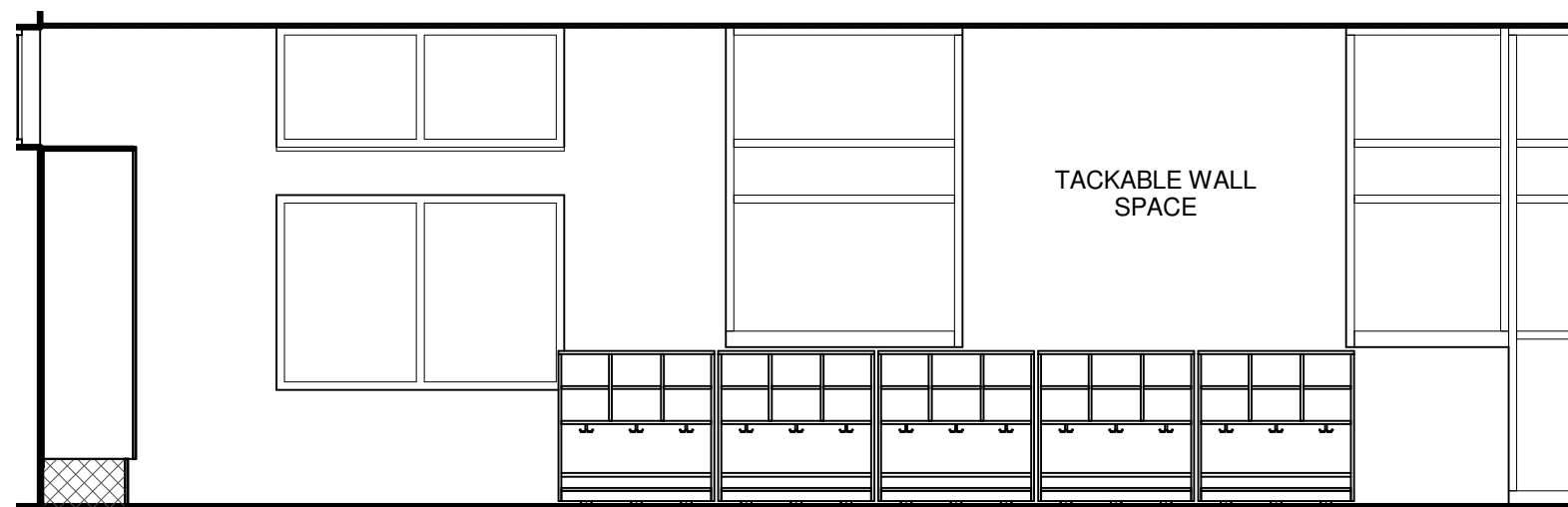
DD

205-E2

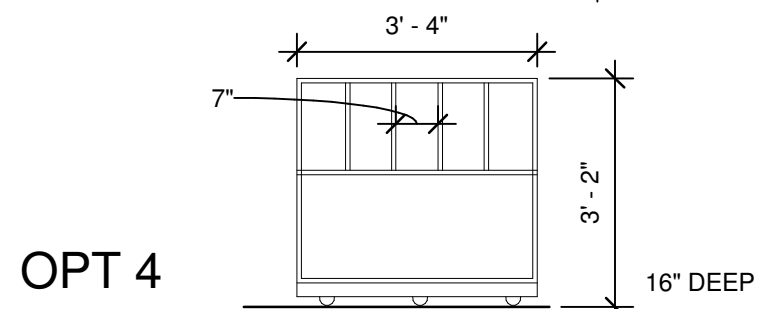
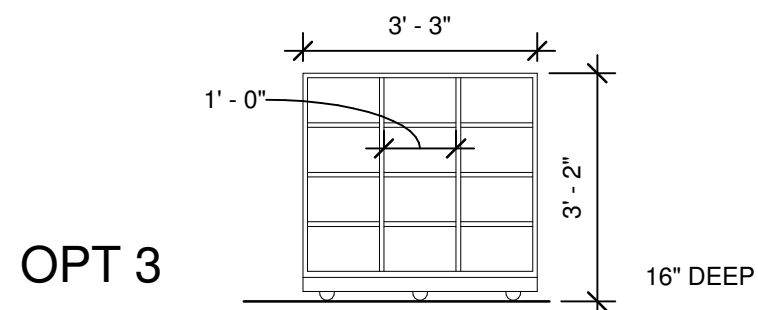
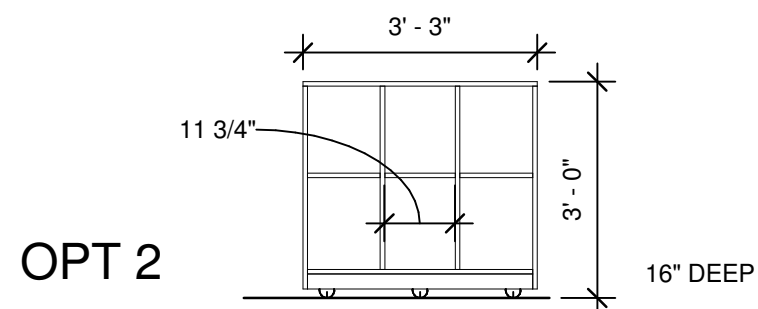
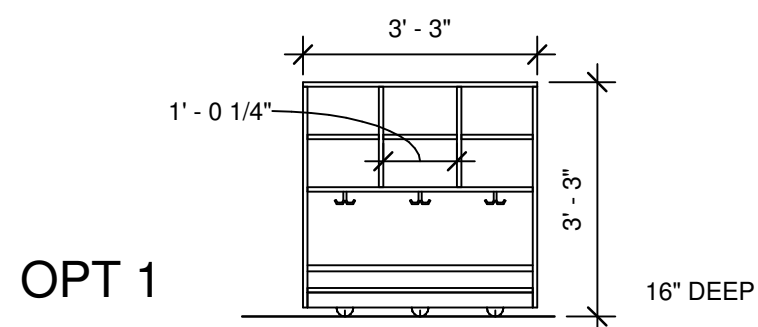
© 2009 NAC INC
 WWW.NACARCHITECTURE.COM



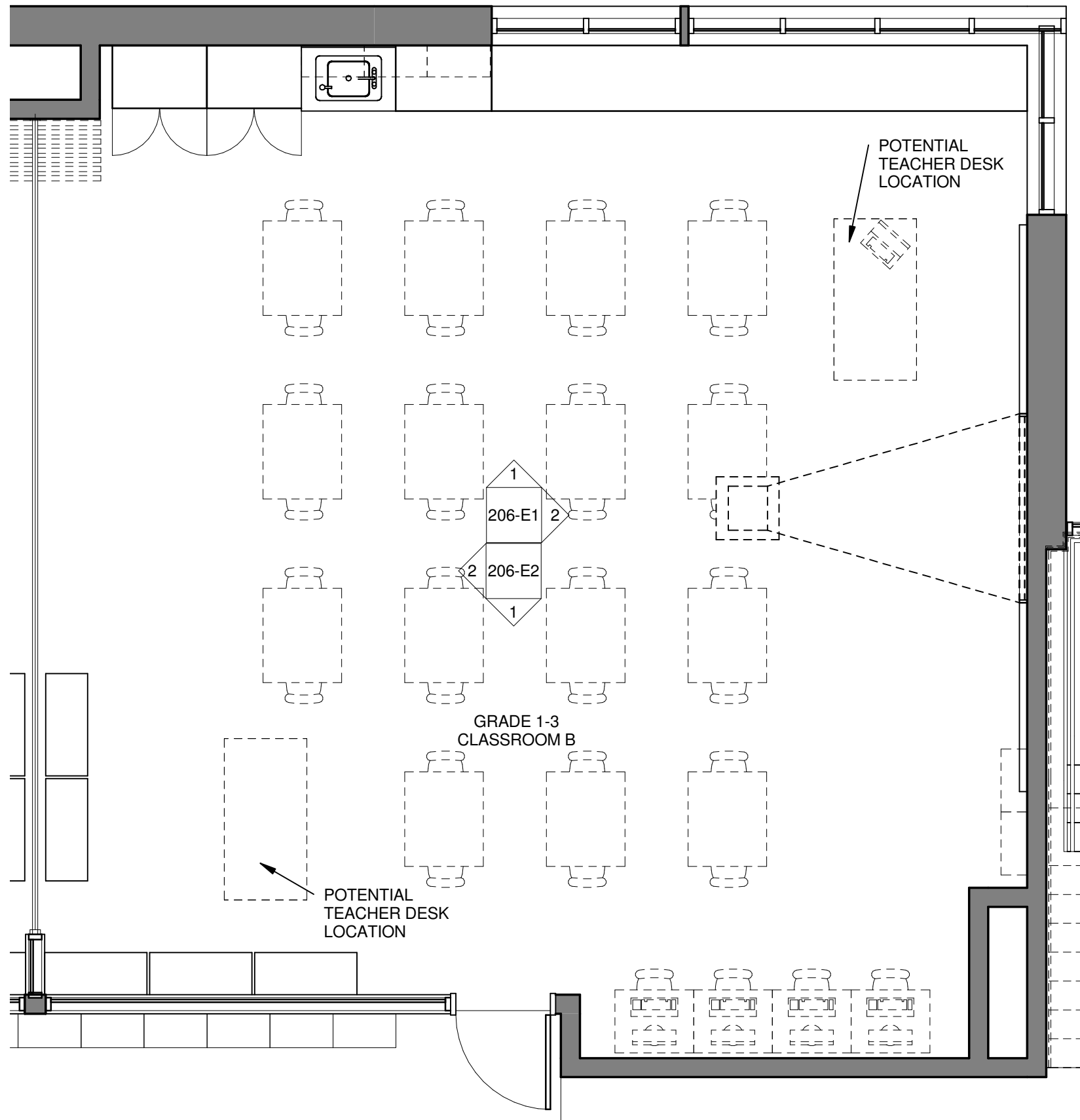
1 1ST FLOOR GRADE 1-3 CLASSROOM A - SOUTH
 Scale: 1/4" = 1'-0"



2 1ST FLOOR GRADE 1-3 CLASSROOM A - WEST
 Scale: 1/4" = 1'-0"



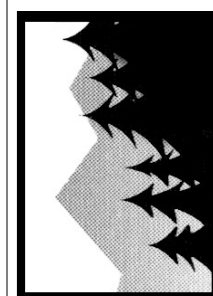
3 CUBBIE OPTIONS
 Scale: 3/8" = 1'-0"



N

206 - 1ST FLOOR CLASSROOM B

Scale: 1/4" = 1'-0"

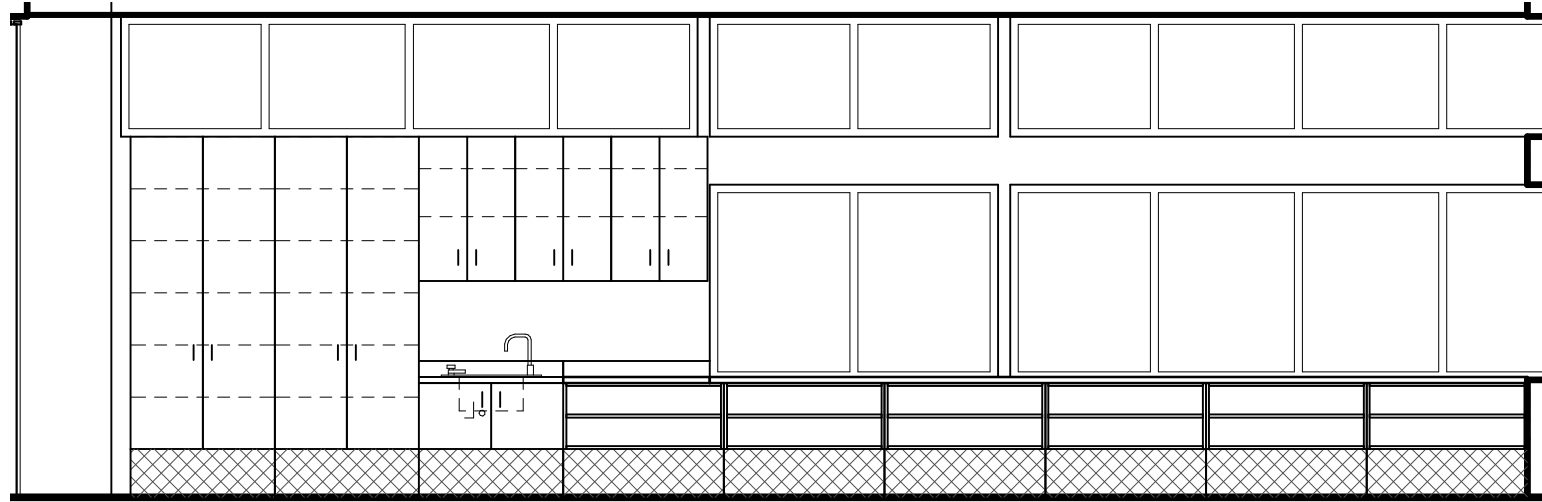


SNOHOMISH SCHOOL DISTRICT NO. 201
RIVERVIEW ELEMENTARY SCHOOL
 7322 64TH STREET SE, SNOHOMISH, WA 98290

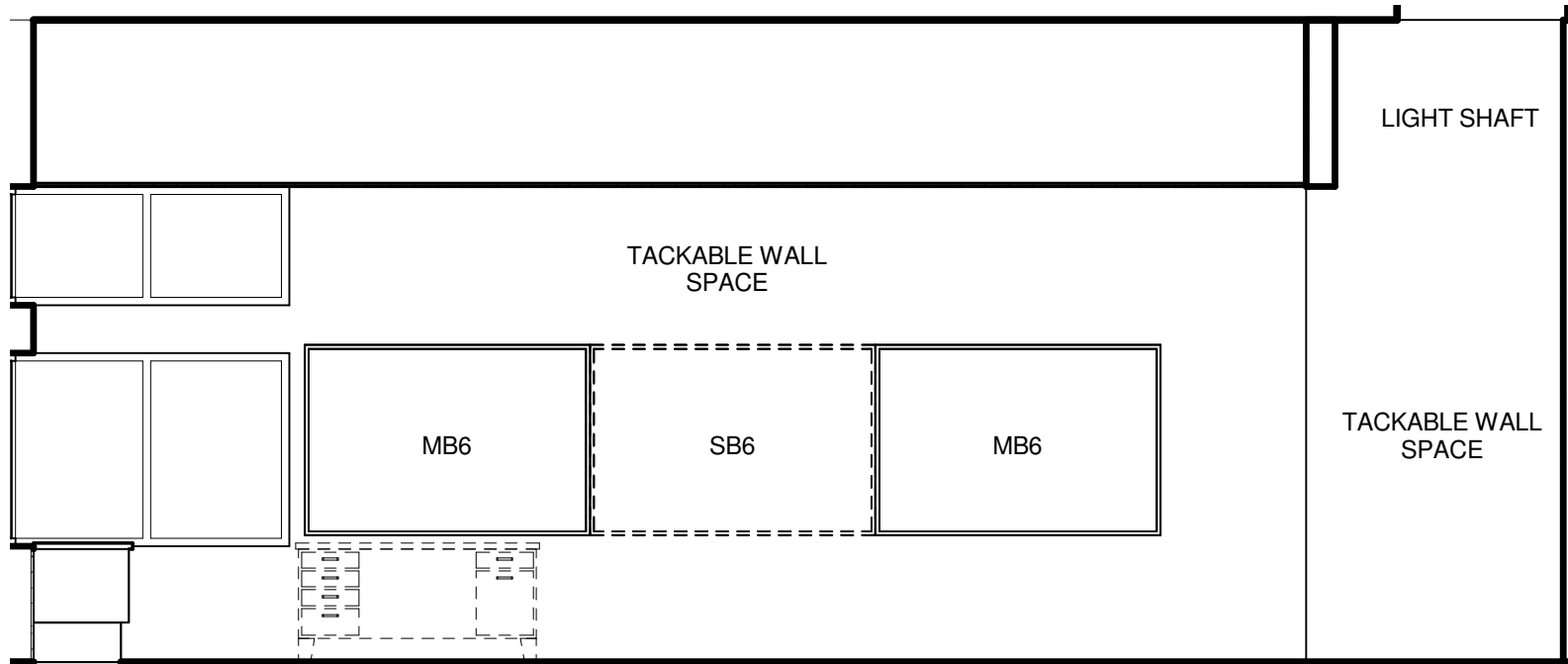
NAC ARCHITECTURE

NAC NO: 121-08038
 DRAWN: Author
 CHECKED: Checker
 DATE: 02/04/2009

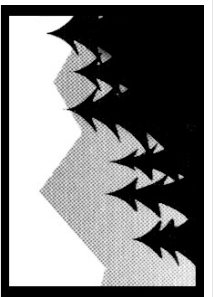
DD
206



1 1ST FLOOR GRADE 1-3 CLASSROOM B - NORTH
 Scale: 1/4" = 1'-0"



2 1ST FLOOR GRADE 1-3 CLASSROOM B - EAST
 Scale: 1/4" = 1'-0"



SNOHOMISH SCHOOL DISTRICT NO. 201
**RIVERVIEW ELEMENTARY
 SCHOOL**
 7322 64TH STREET SE, SNOHOMISH, WA 98290

NAC ARCHITECTURE

NAC NO: 121-08038
 DRAWN: Author
 CHECKED: Checker
 DATE: 02/04/2009

DD
206-E1

CLASSROOM B INTERIOR
 ELEVATIONS



SNOHOMISH SCHOOL DISTRICT NO. 201
**RIVERVIEW ELEMENTARY
 SCHOOL**
 7322 64TH STREET SE, SNOHOMISH, WA 98290

NAC ARCHITECTURE

2201 SIXTH AVE, SUITE 1405 | SEATTLE, WA 98121-1847 | T:206.441.4522 | F:206.441.7917

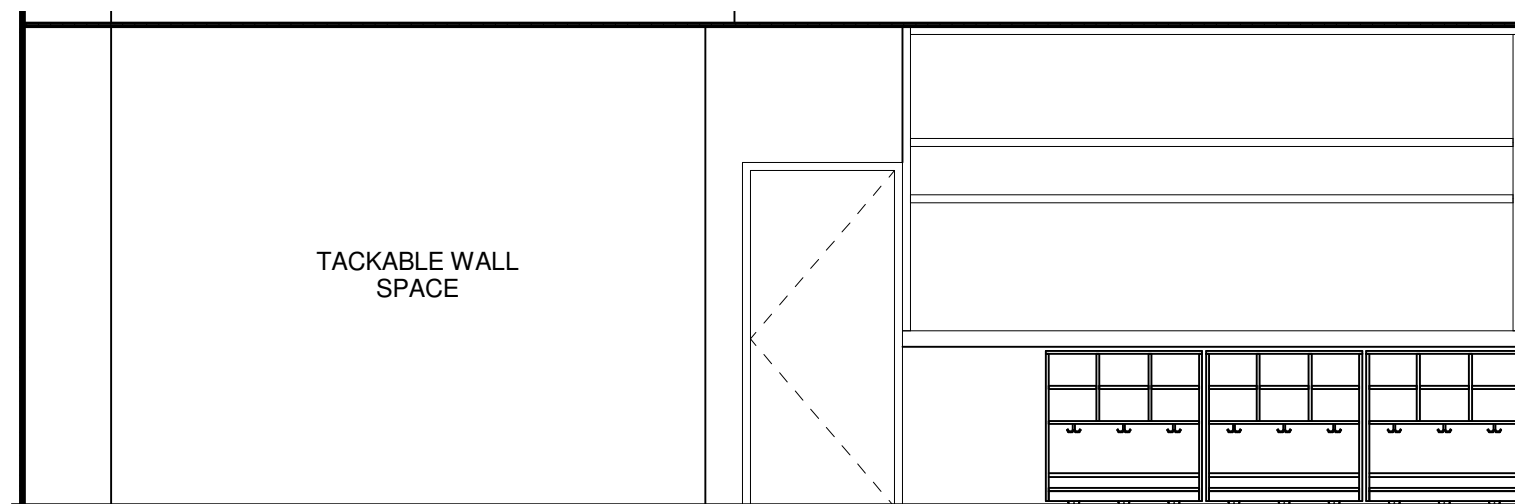
NAC NO 121-08038
 DRAWN Author
 CHECKED Checker
 DATE: 02/04/2009

DD

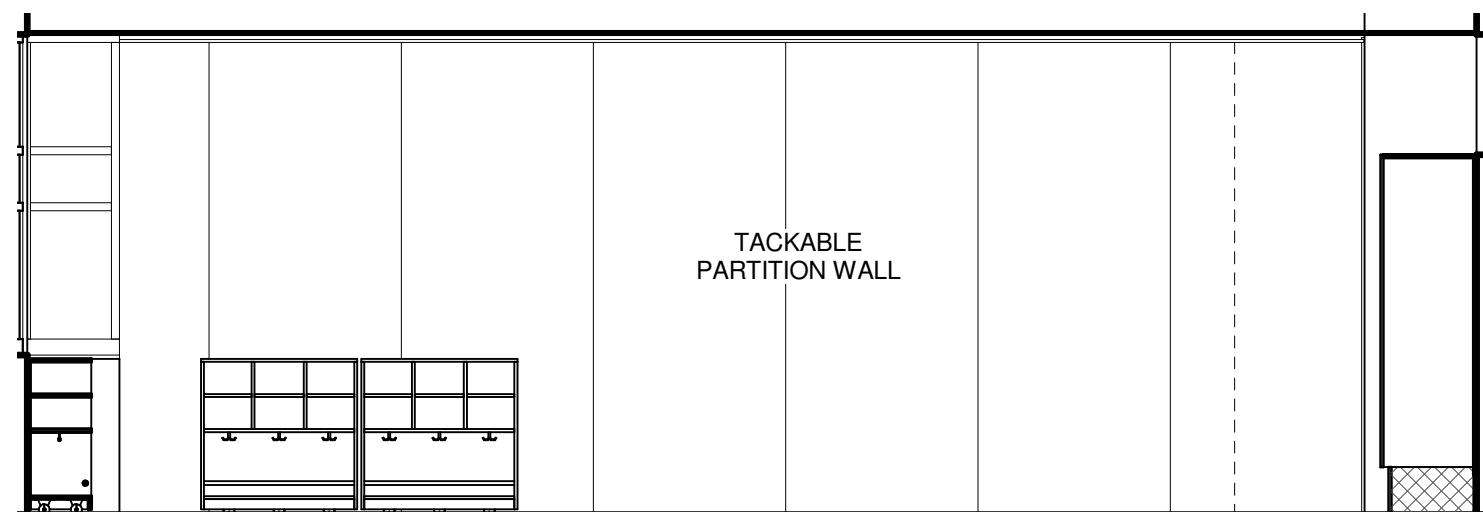
206-E2

© 2009 NAC INC
 WWW.NACARCHITECTURE.COM

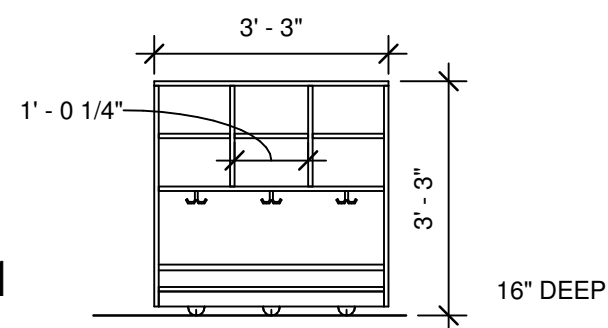
CLASSROOM B INTERIOR
 ELEVATIONS



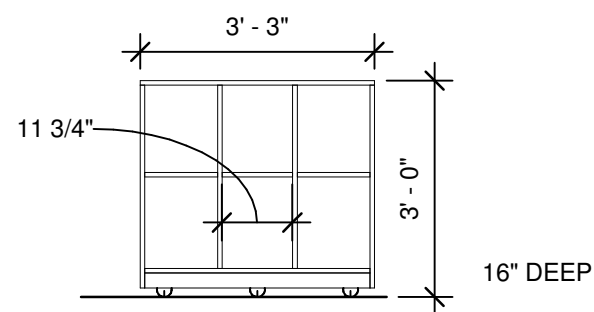
1 1ST FLOOR GRADE 1-3 CLASSROOM B - SOUTH
 Scale: 1/4" = 1'-0"



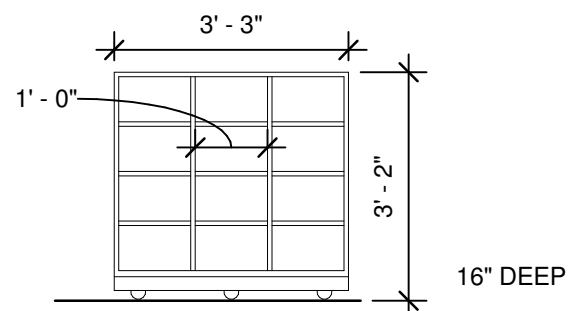
2 1ST FLOOR GRADE 1-3 CLASSROOM B - WEST
 Scale: 1/4" = 1'-0"



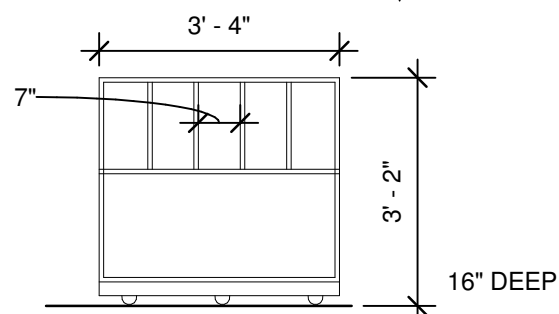
OPT 1



OPT 2

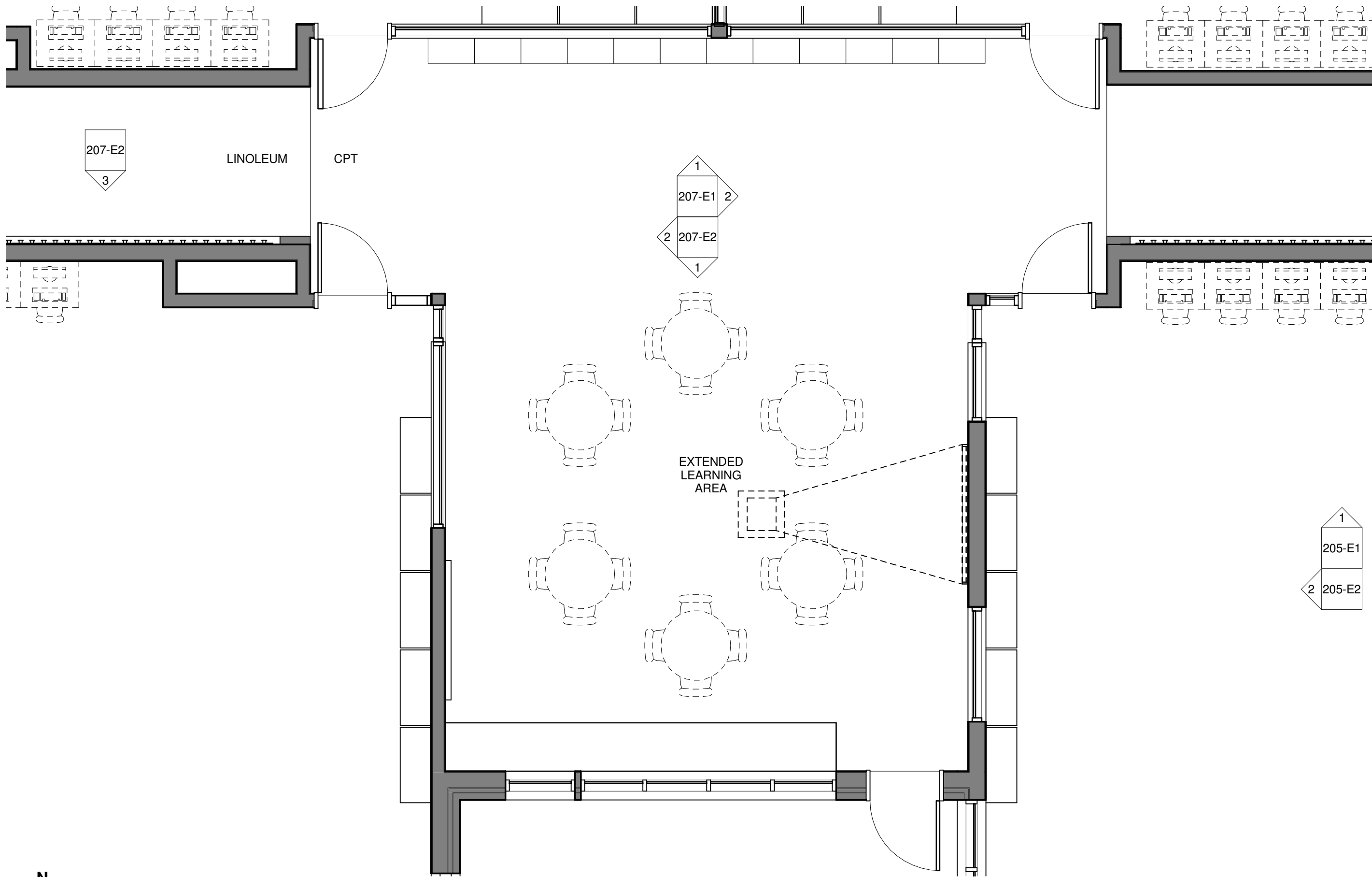


OPT 3

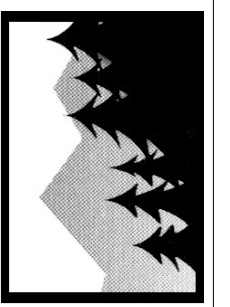


OPT 4

3 Cubbie Options
 Scale: 3/8" = 1'-0"



N
207 - EXTENDED LEARNING AREA
 Scale: 1/4" = 1'-0"



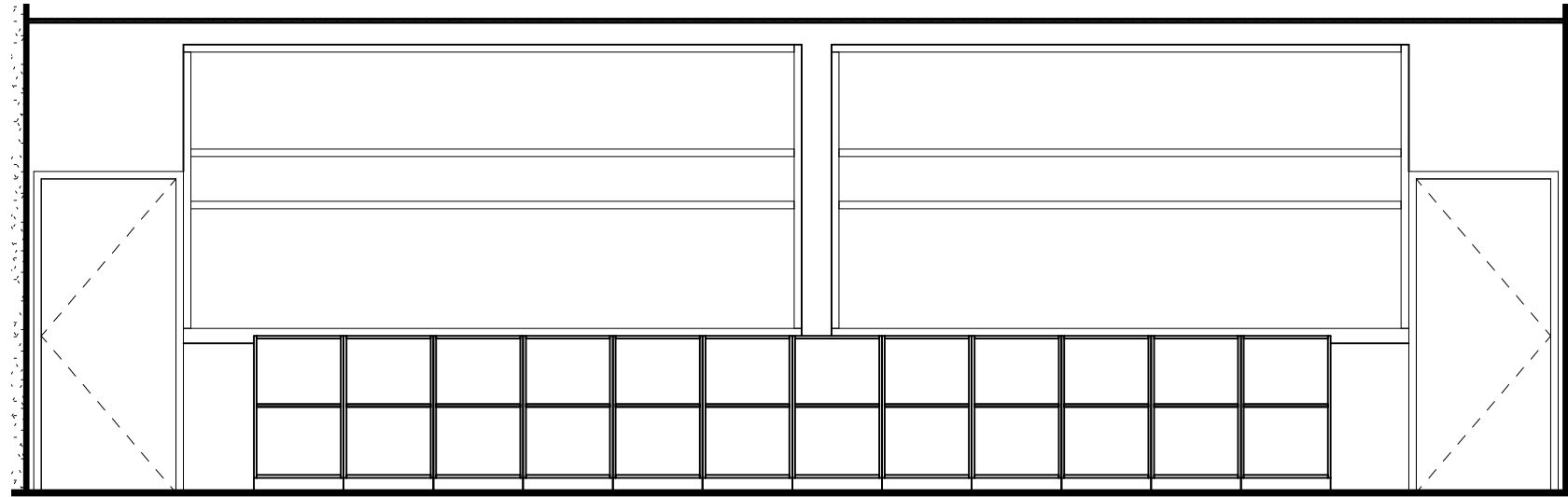
SNOHOMISH SCHOOL DISTRICT NO. 201
RIVERVIEW ELEMENTARY SCHOOL
 7322 64TH STREET SE, SNOHOMISH, WA 98290

NAC ARCHITECTURE

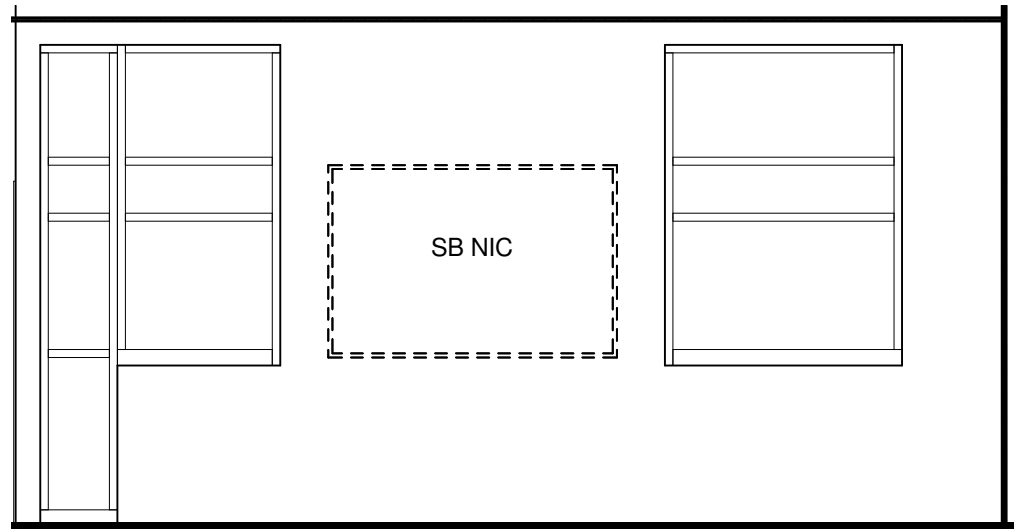
NAC NO	121-08038
DRAWN	Author
CHECKED	Checker
DATE:	02/04/2009

DD
207

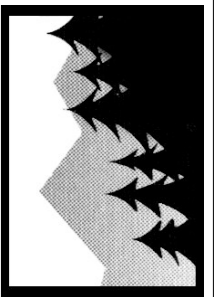
ENLARGED PLAN OF EXTENDED LEARNING AREA



1 EXTENDED LEARNING AREA - NORTH
 Scale: 1/4" = 1'-0"



2 EXTENDED LEARNING AREA - EAST
 Scale: 1/4" = 1'-0"



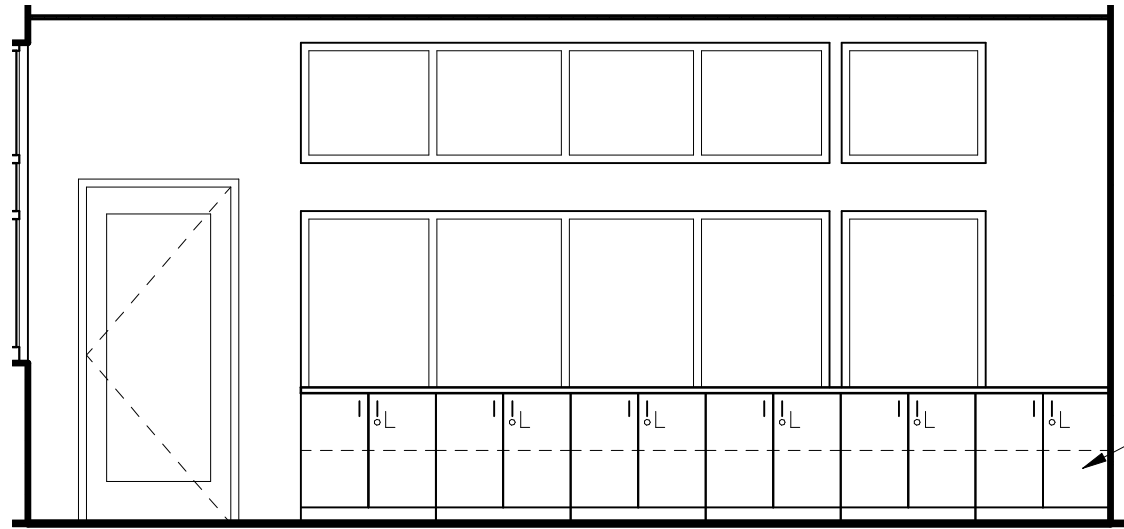
SNOHOMISH SCHOOL DISTRICT NO. 201
**RIVERVIEW ELEMENTARY
 SCHOOL**
 7322 64TH STREET SE, SNOHOMISH, WA 98290

NAC ARCHITECTURE

NAC NO: 121-08038
 DRAWN: Author
 CHECKED: Checker
 DATE: 02/04/2009

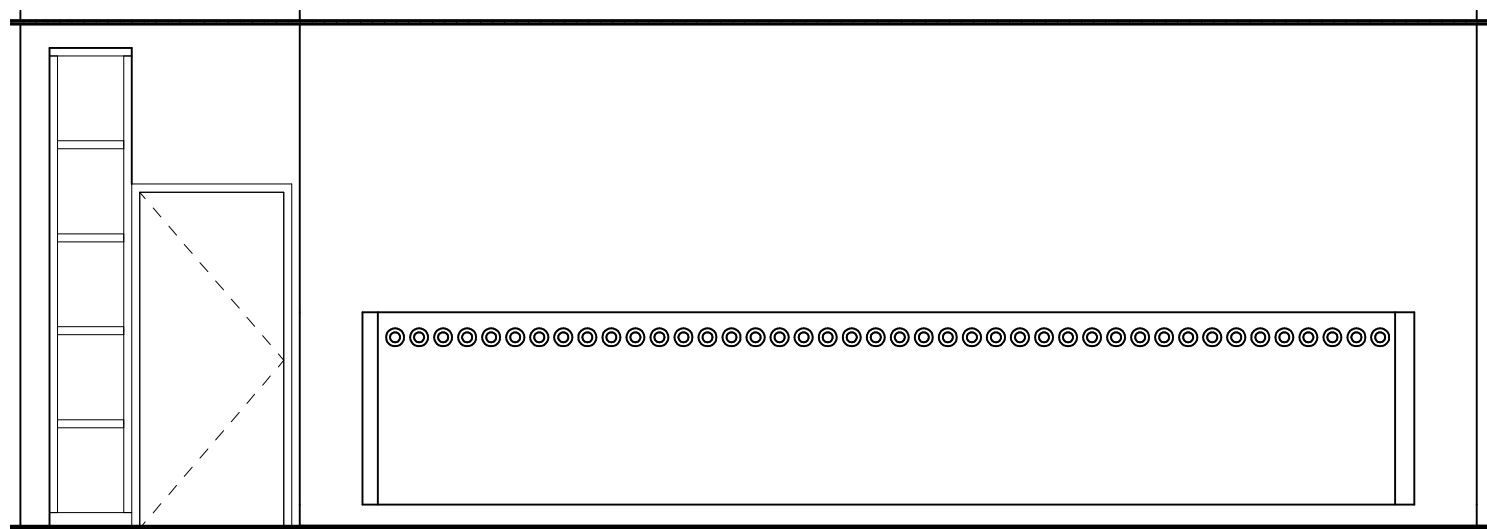
DD
207-E1

EXTENDED LEARNING AREA
 ELEVATIONS

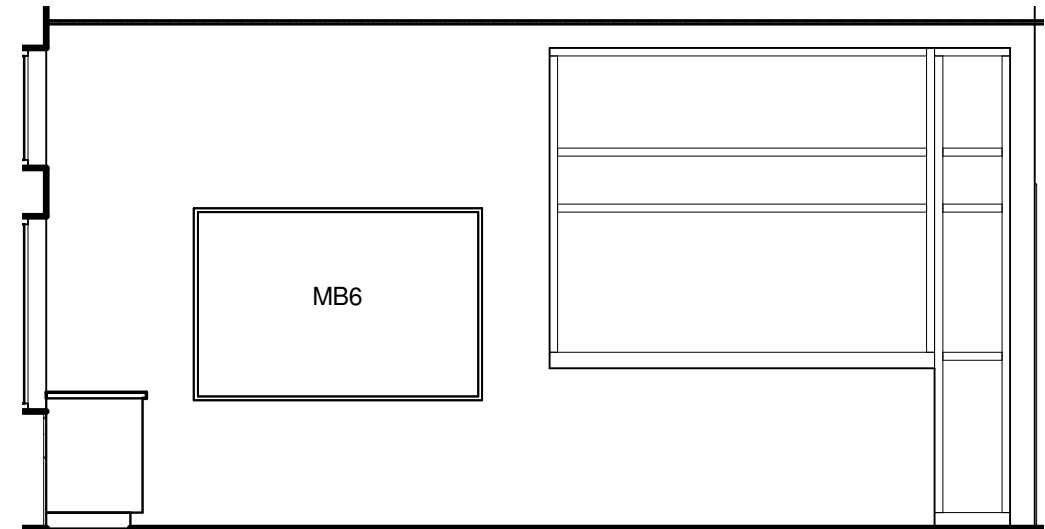


STORAGE FOR SCIENCE KITS - TEACHERS VERIFY SIZE REQUIREMENTS.

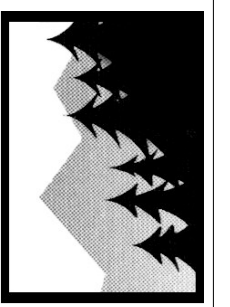
1 EXTENDED LEARNING AREA - SOUTH
Scale: 1/4" = 1'-0"



3 EXTENDED LEARNING AREA HALL - SOUTH
Scale: 1/4" = 1'-0"



2 EXTENDED LEARNING AREA - WEST
Scale: 1/4" = 1'-0"



SNOHOMISH SCHOOL DISTRICT NO. 201
RIVERVIEW ELEMENTARY SCHOOL
7322 64TH STREET SE, SNOHOMISH, WA 98290

NAC ARCHITECTURE

NAC NO: 121-08038
DRAWN: Author
CHECKED: Checker
DATE: 02/04/2009

DD

207-E2

EXTENDED LEARNING AREA ELEVATIONS